
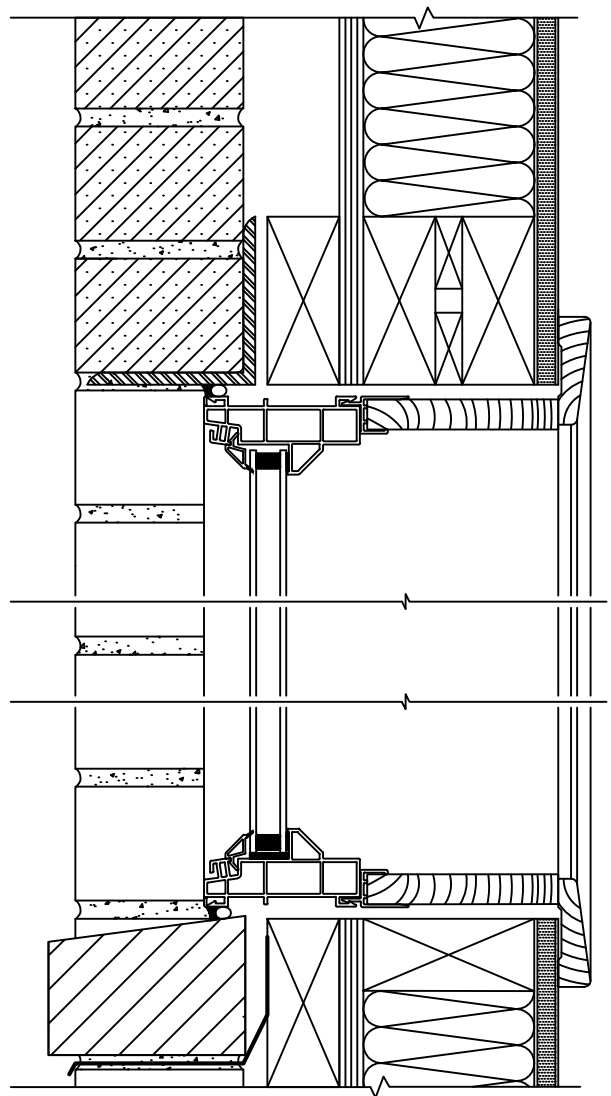
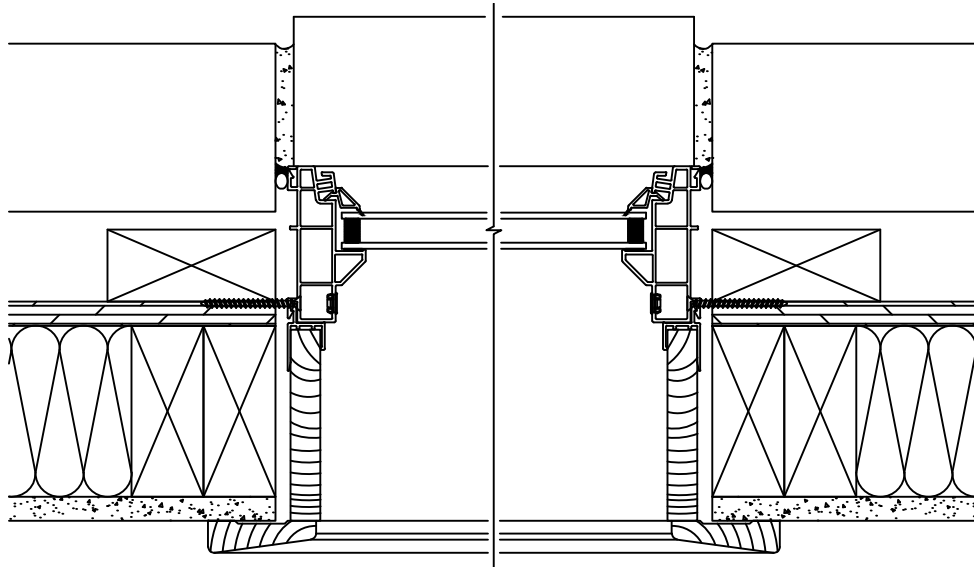


Geo Picture Window

Table of Contents

NEW CONSTRUCTION - BRICK VENEER.....	1.1
NEW CONSTRUCTION - E.I.F.S./STUCCO.....	1.2
NEW CONSTRUCTION - VINYL/WOOD SIDING.....	1.3
NEW CONSTRUCTION - WITHOUT WALL CONSTRUCTION.....	1.4
908 BRICKMOULD (2-1/4") - BRICK VENEER.....	2.1
908 BRICKMOULD (2-1/4") - E.I.F.S./STUCCO.....	2.2
908 BRICKMOULD (2-1/4") - VINYL/WOOD SIDING.....	2.3
FLAT CASING (3-1/2") - BRICK VENEER.....	3.1
FLAT CASING (3-1/2") - E.I.F.S./STUCCO.....	3.2
FLAT CASING (3-1/2") - VINYL/WOOD SIDING.....	3.3
5" BRICKMOULD - BRICK VENEER.....	4.1
5" BRICKMOULD - E.I.F.S./STUCCO.....	4.2
5" BRICKMOULD - VINYL/WOOD SIDING.....	4.3
REPLACEMENT WINDOW - NO SPECIFIC SIDING.....	6.1
REPLACEMENT WINDOW - WITHOUT WALL CONSTRUCTION.....	6.2
REPLACEMENT WINDOW - WITH 908 BRICKMOULD & SN IN BRICK VENEER.....	6.3
REPLACEMENT WINDOW FOAM FILLED - NO SPECIFIC SIDING.....	6.4
MULL DETAILS - NO SPECIFIC SIDING.....	A.1
MULL DETAILS (1-1/4" STRUCTURAL) - NO SPECIFIC SIDING.....	A.2
ELEVATION VIEWS - SINGLE WINDOWS.....	A.3
ELEVATION VIEWS - MULLED WINDOWS.....	A.4

Title/Description: Geo Picture Window Window Series Table of Contents		Product Series #: Series 8371	 Window Solutions For Life. 400 Riverside Industrial Parkway PO Box 10109 Portland ME. 04104 Tel. 207-878-9701 : Fax 207-797-6156 www.paradigmwindows.com	Page T.O.C.
NOTICE: This document contains information that is proprietary to and is protected by copyright of Paradigm Window Solutions For Life. This information may not be copied, disclosed to others or used for any purpose other than that for which it is given without written permission from Paradigm. Copyright © 2008 Paradigm Window Solutions For Life. All Rights Reserved.		Scale: -		
Release Date: 05/06/09	Drawn By: BCG / DML			



FOR GENERAL REFERENCE ONLY.
 NOT TO BE USED AS AN INSTALLATION
 GUIDELINE.

Title/Description:

**Geo Picture Window
 New Construction (No casing or sill nose)
 Brick Veneer**

Product Series #:

Series 8371

Scale:

3" = 1' 0"

Drawn By:

BCG / DML



400 Riverside Industrial Parkway
 PO Box 10109
 Portland ME. 04104
 Tel. 207-878-9701 : Fax 207-797-6156
 www.paradigmwindows.com

Page

1.1

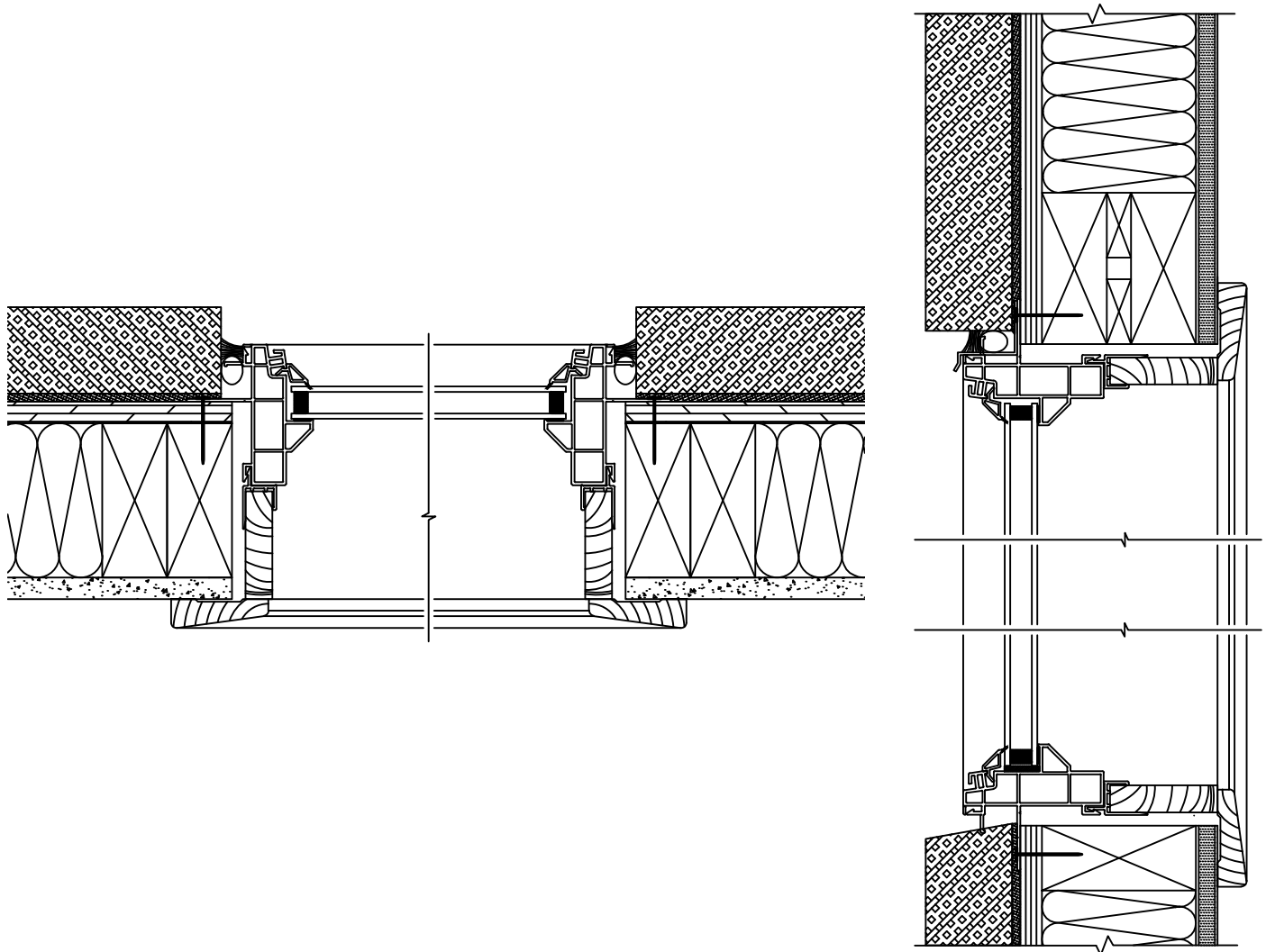
NOTICE: This document contains information that is proprietary to and is protected by copyright of Paradigm Window Solutions For Life. This information may not be copied, disclosed to others or used for any purpose other than that for which it is given without written permission from Paradigm. Copyright © 2008 Paradigm Window Solutions For Life. All Rights Reserved.

Release Date:


05/06/09

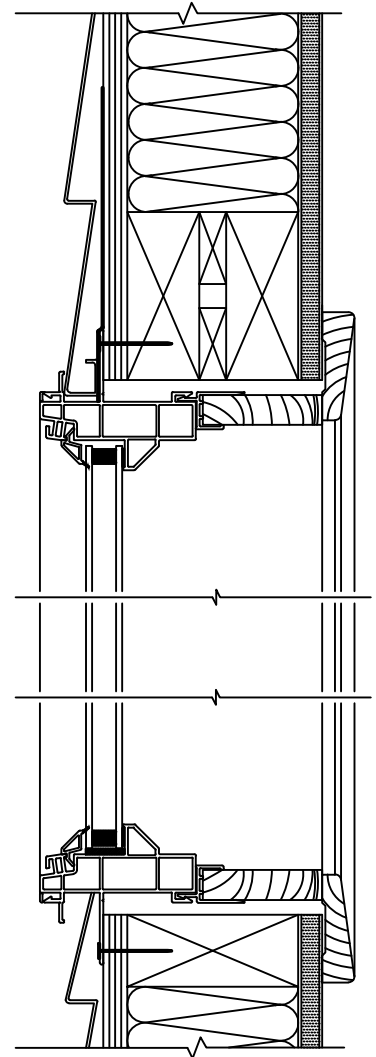
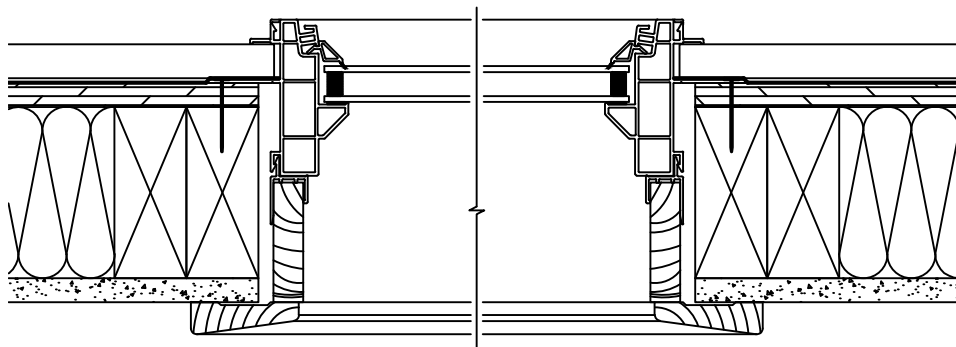
PLEASE NOTE:

E.I.F.S. INSTALLATION DETAILS ARE FOR ILLUSTRATIVE PURPOSES ONLY.
 FOLLOW YOUR E.I.F.S. MANUFACTURER'S INSTRUCTIONS FOR
 WINDOW/DOOR FLASHING AND SEALING METHODS.



FOR GENERAL REFERENCE ONLY.
 NOT TO BE USED AS AN INSTALLATION
 GUIDELINE.

<p>Title/Description: Geo Picture Window New Construction (No casing or sill nose) E.I.F.S./Stucco</p>	<p>Product Series #: Series 8371</p>	 <p>Window Solutions For Life. 400 Riverside Industrial Parkway PO Box 10109 Portland ME. 04104 Tel. 207-878-9701 : Fax 207-797-6156 www.paradigmwindows.com</p>	<p>Page 1.2</p>		
<p>NOTICE: This document contains information that is proprietary to and is protected by copyright of Paradigm Window Solutions For Life. This information may not be copied, disclosed to others or used for any purpose other than that for which it is given without written permission from Paradigm. Copyright © 2008 Paradigm Window Solutions For Life. All Rights Reserved.</p>	<p>Release Date: 05/06/09</p>			<p>Scale: 3" = 1' 0"</p>	<p>Drawn By: BCG / DML</p>



FOR GENERAL REFERENCE ONLY.
 NOT TO BE USED AS AN INSTALLATION
 GUIDELINE.

Title/Description:

**Geo Picture Window
 New Construction (No casing or sill nose)
 Vinyl/Wood Siding**

Product Series #:

Series 8371

Scale:

3" = 1' 0"

Drawn By:

BCG / DML



400 Riverside Industrial Parkway
 PO Box 10109
 Portland ME. 04104
 Tel. 207-878-9701 : Fax 207-797-6156

www.paradigmwindows.com

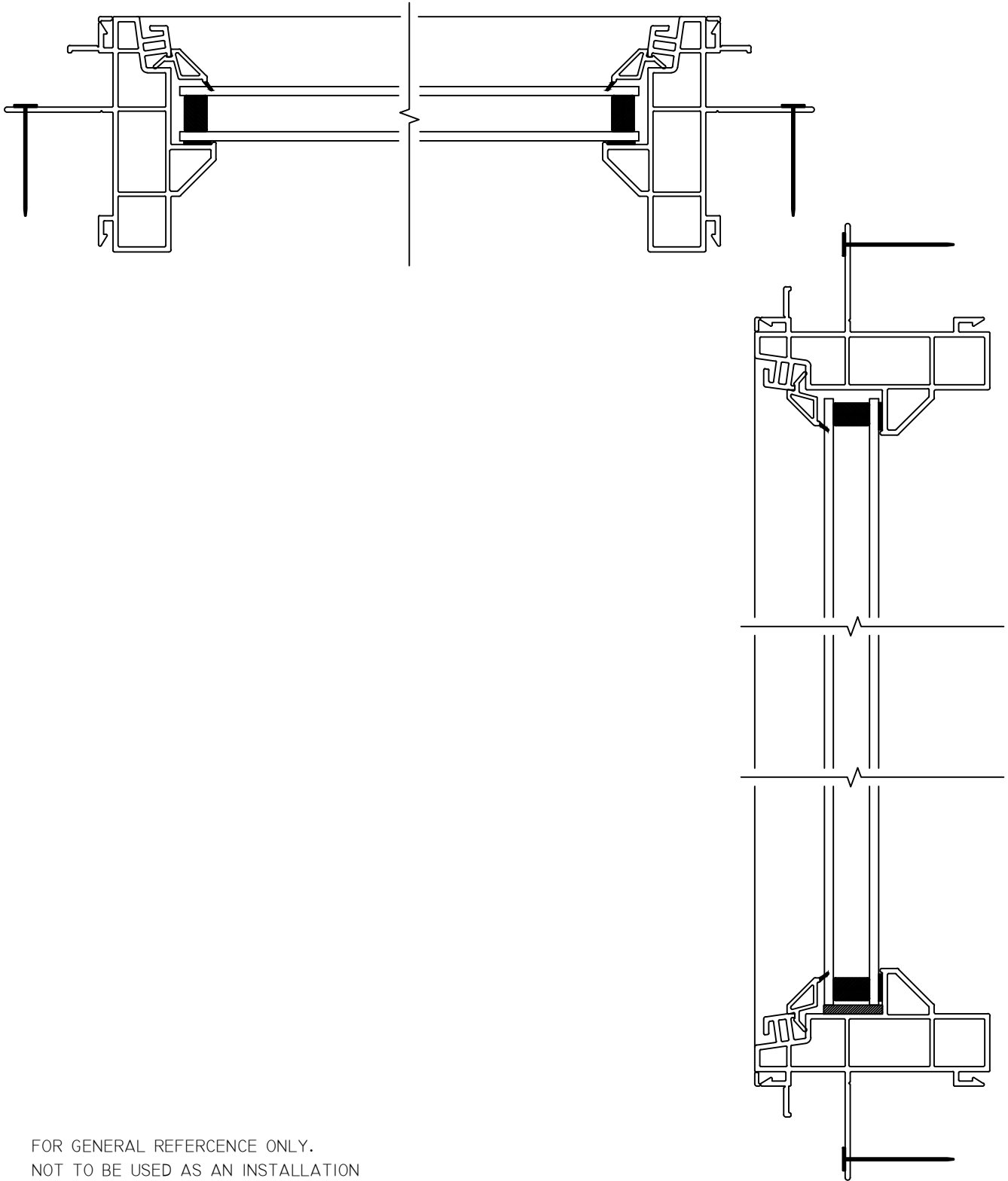
Page

1.3

NOTICE: This document contains information that is proprietary to and is protected by copyright of Paradigm Window Solutions For Life. This information may not be copied, disclosed to others or used for any purpose other than that for which it is given without written permission from Paradigm. Copyright © 2008 Paradigm Window Solutions For Life. All Rights Reserved.

Release Date:

05/06/09



FOR GENERAL REFERENCE ONLY.
 NOT TO BE USED AS AN INSTALLATION
 GUIDELINE.

Title/Description:

**Geo Picture Window
 New Construction (No casing or sill nose)
 Shown without wall construction**

Product Series #:

Series 8371

Scale:

6" = 1' 0"



400 Riverside Industrial Parkway
 PO Box 10109
 Portland ME. 04104
 Tel. 207-878-9701 : Fax 207-797-6156

www.paradigmwindows.com

Page

1.4

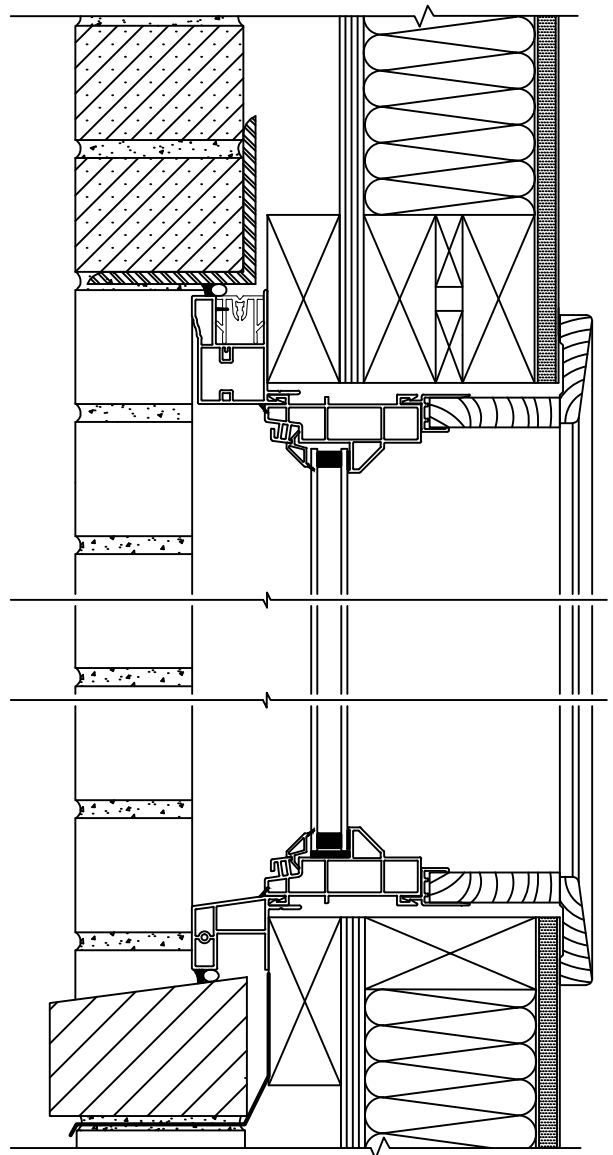
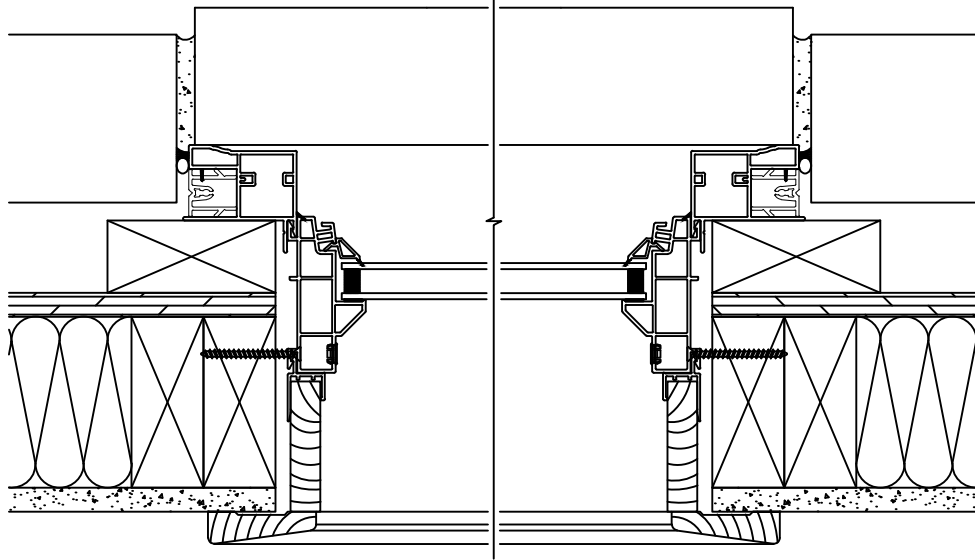
NOTICE: This document contains information that is proprietary to and is protected by copyright of Paradigm Window Solutions For Life. This information may not be copied, disclosed to others or used for any purpose other than that for which it is given without written permission from Paradigm. Copyright © 2008 Paradigm Window Solutions For Life. All Rights Reserved.

Release Date:

05/06/09

Drawn By:

BCG / DML



FOR GENERAL REFERENCE ONLY.
 NOT TO BE USED AS AN INSTALLATION
 GUIDELINE.

Title/Description:

**Geo Picture Window
 908 Brickmould (2-1/4") with Sill Nose
 Brick Veneer**

Product Series #:

Series 8371

Scale:

3" = 1' 0"

Drawn By:

BCG / DML



400 Riverside Industrial Parkway
 PO Box 10109
 Portland ME. 04104
 Tel. 207-878-9701 : Fax 207-797-6156
 www.paradigmwindows.com

**Page
 2.1**

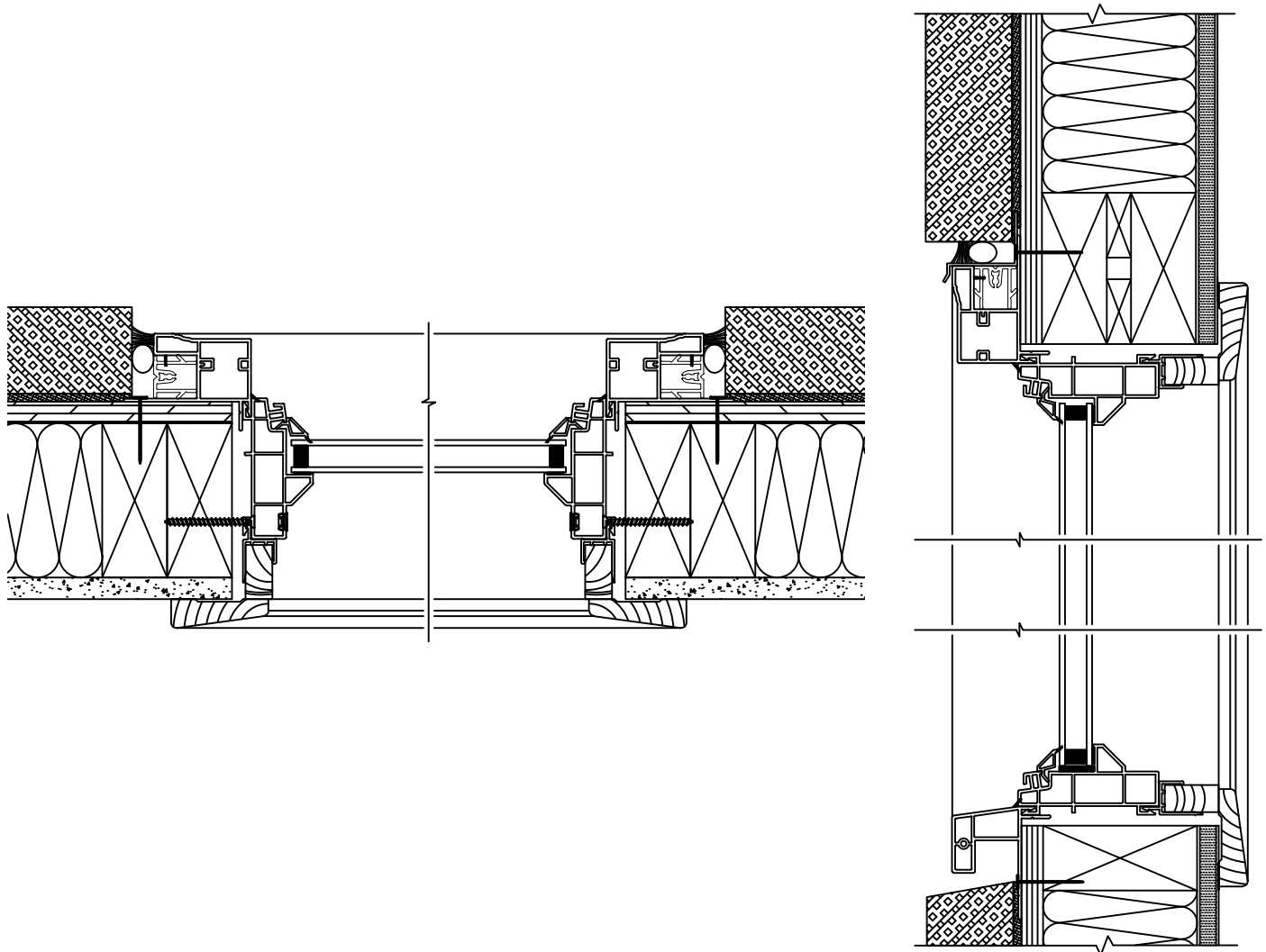
NOTICE: This document contains information that is proprietary to and is protected by copyright of Paradigm Window Solutions For Life. This information may not be copied, disclosed to others or used for any purpose other than that for which it is given without written permission from Paradigm. Copyright © 2008 Paradigm Window Solutions For Life. All Rights Reserved.

Release Date:

05/06/09

PLEASE NOTE:

E.I.F.S. INSTALLATION DETAILS ARE FOR ILLUSTRATIVE PURPOSES ONLY.
 FOLLOW YOUR E.I.F.S. MANUFACTURER'S INSTRUCTIONS FOR
 WINDOW/DOOR FLASHING AND SEALING METHODS.



FOR GENERAL REFERENCE ONLY.
 NOT TO BE USED AS AN INSTALLATION
 GUIDELINE.

Title/Description:

**Geo Picture Window
 908 Brickmould (2-1/4") with Sill Nose
 E.I.F.S./Stucco**

Product Series #:

Series 8371

Scale:

3" = 1' 0"

Drawn By:

BCG / DML



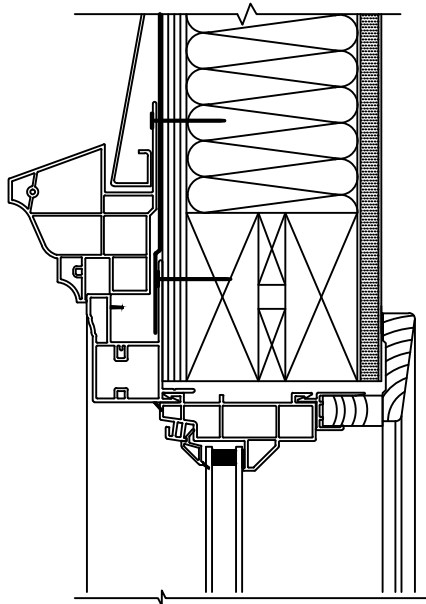
400 Riverside Industrial Parkway
 PO Box 10109
 Portland ME. 04104
 Tel. 207-878-9701 : Fax 207-797-6156
 www.paradigmwindows.com

**Page
 2.2**

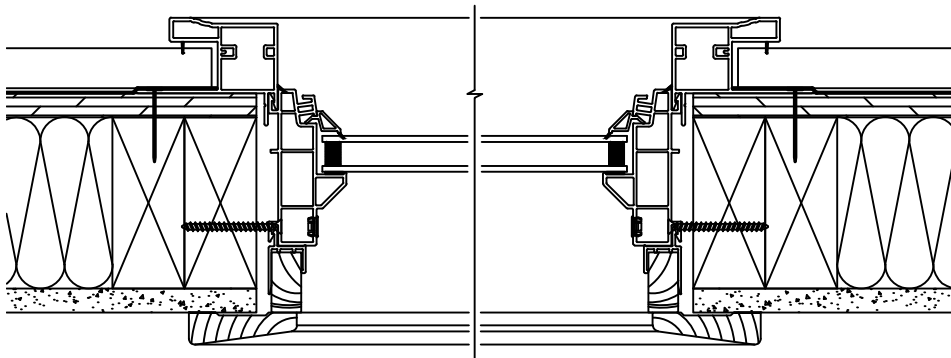
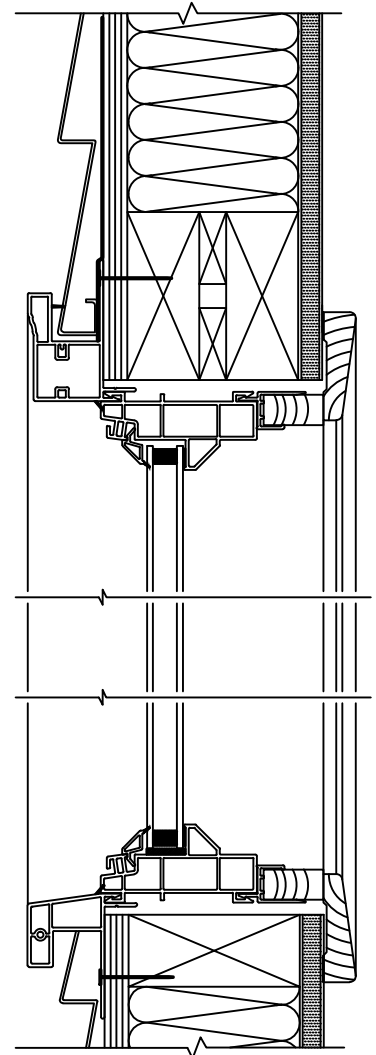
NOTICE: This document contains information that is proprietary to and is protected by copyright of Paradigm Window Solutions For Life. This information may not be copied, disclosed to others or used for any purpose other than that for which it is given without written permission from Paradigm. Copyright © 2008 Paradigm Window Solutions For Life. All Rights Reserved.

Release Date:

05/06/09



CROWN MOLD ACCESSORY
(AVAILABLE SEPARATELY)



FOR GENERAL REFERENCE ONLY.
NOT TO BE USED AS AN INSTALLATION
GUIDELINE.

Title/Description:

**Geo Picture Window
908 Brickmould (2-1/4") with Sill Nose
Vinyl/Wood Siding**

Product Series #:

Series 8371

Scale:

3" = 1' 0"

Drawn By:

BCG / DML



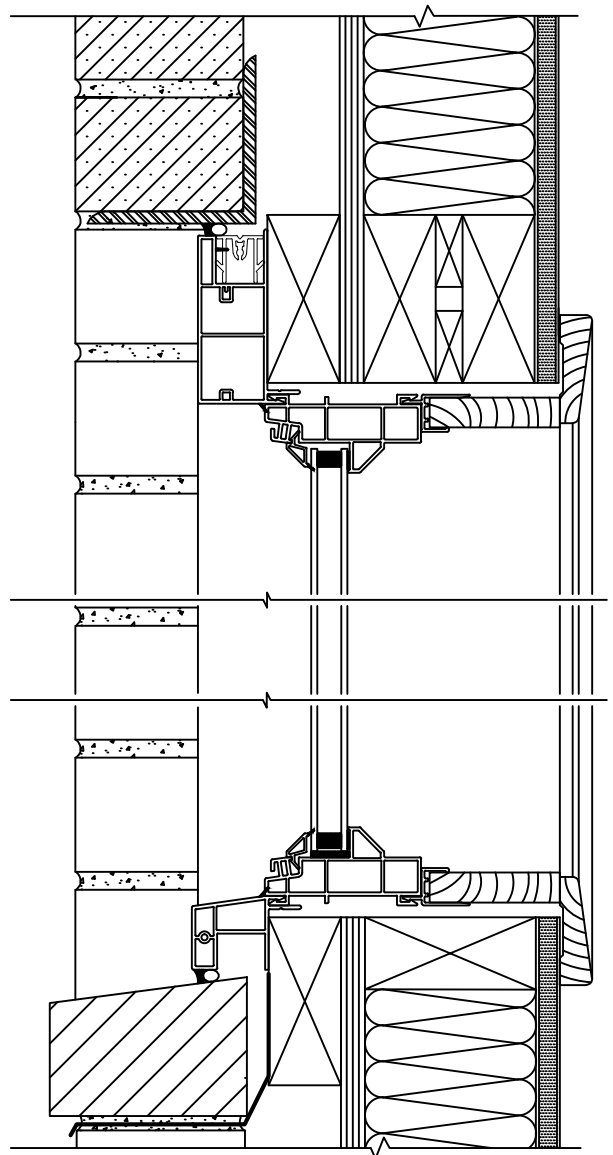
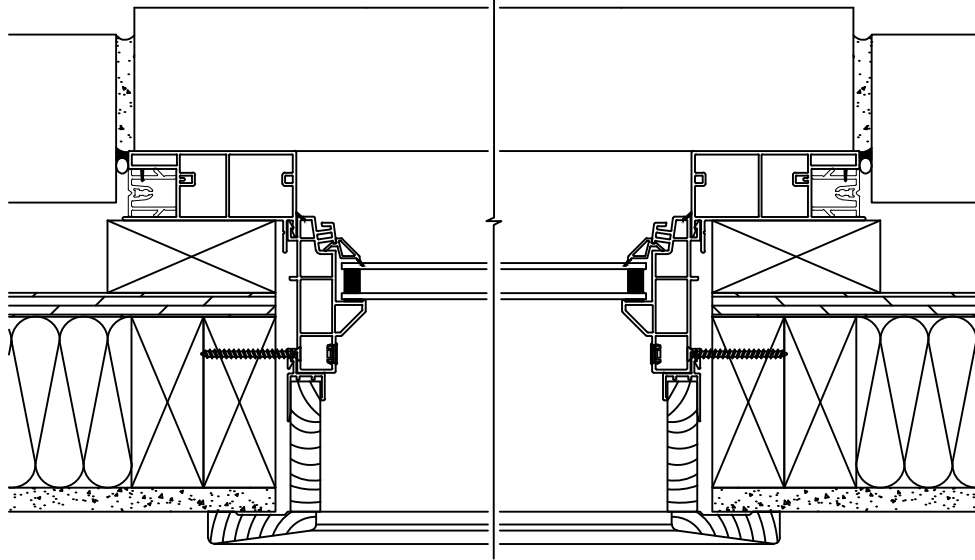
400 Riverside Industrial Parkway
PO Box 10109
Portland ME. 04104
Tel. 207-878-9701 : Fax 207-797-6156
www.paradigmwindows.com

**Page
2.3**

NOTICE: This document contains information that is proprietary to and is protected by copyright of Paradigm Window Solutions For Life. This information may not be copied, disclosed to others or used for any purpose other than that for which it is given without written permission from Paradigm. Copyright © 2008 Paradigm Window Solutions For Life. All Rights Reserved.

Release Date:

05/06/09



FOR GENERAL REFERENCE ONLY.
 NOT TO BE USED AS AN INSTALLATION
 GUIDELINE.

Title/Description:

**Geo Picture Window
 Flat Casing (3-1/2") with Sill Nose
 Brick Veneer**

Product Series #:

Series 8371

Scale:

3" = 1' 0"

Drawn By:

BCG / DML



400 Riverside Industrial Parkway
 PO Box 10109
 Portland ME. 04104
 Tel. 207-878-9701 : Fax 207-797-6156
 www.paradigmwindows.com

Page

3.1

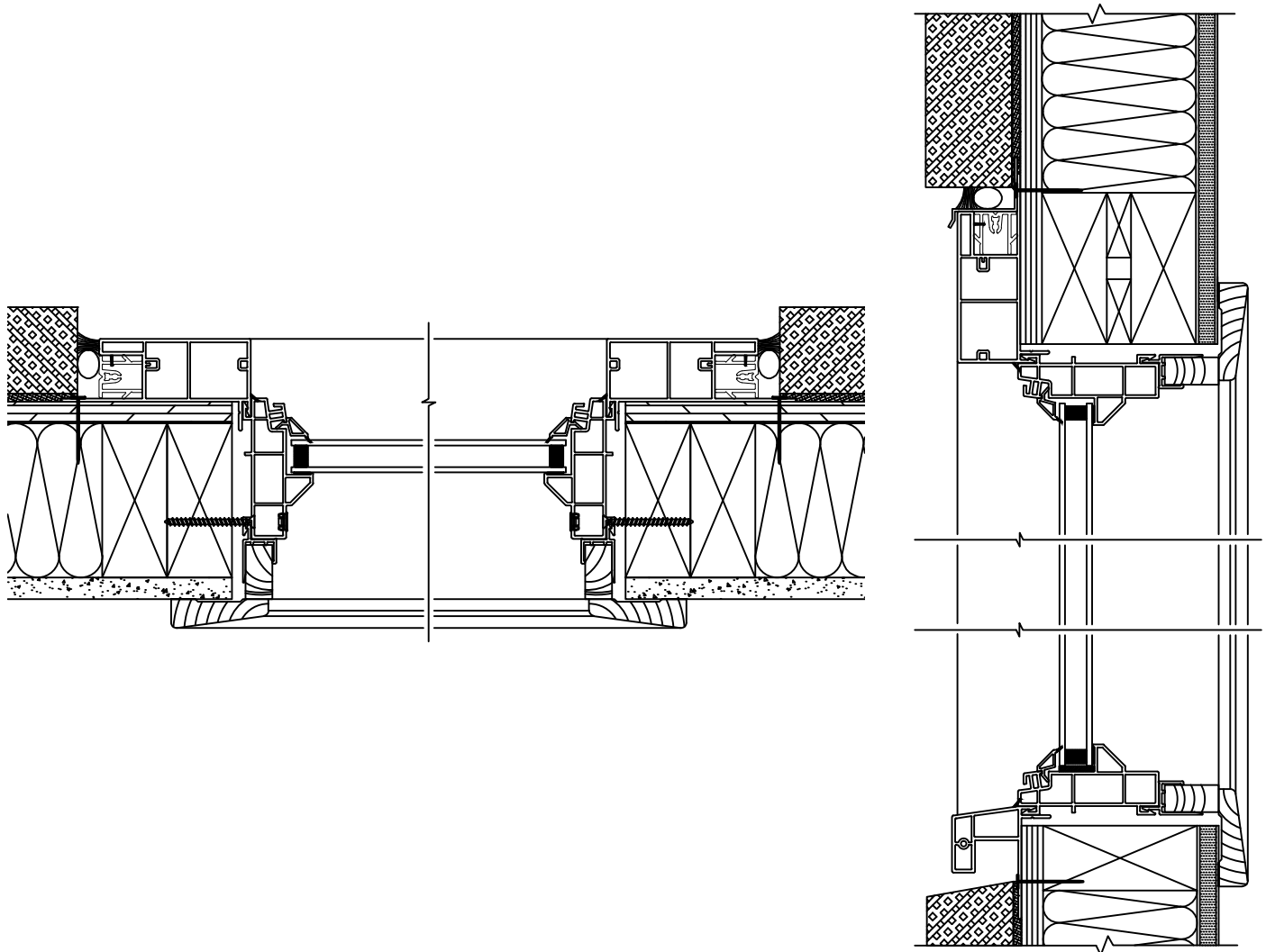
NOTICE: This document contains information that is proprietary to and is protected by copyright of Paradigm Window Solutions For Life. This information may not be copied, disclosed to others or used for any purpose other than that for which it is given without written permission from Paradigm. Copyright © 2008 Paradigm Window Solutions For Life. All Rights Reserved.

Release Date:


05/06/09

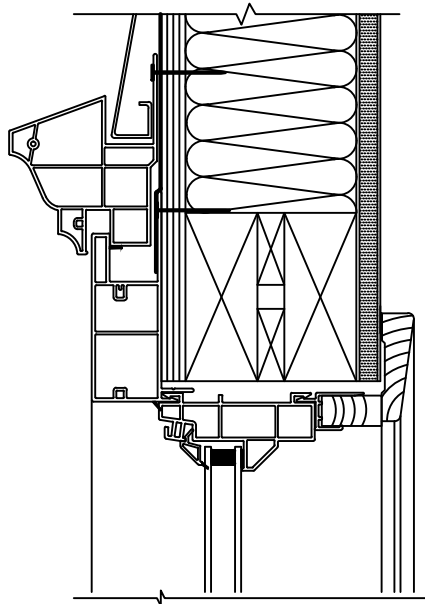
PLEASE NOTE:

E.I.F.S. INSTALLATION DETAILS ARE FOR ILLUSTRATIVE PURPOSES ONLY.
 FOLLOW YOUR E.I.F.S. MANUFACTURER'S INSTRUCTIONS FOR
 WINDOW/DOOR FLASHING AND SEALING METHODS.

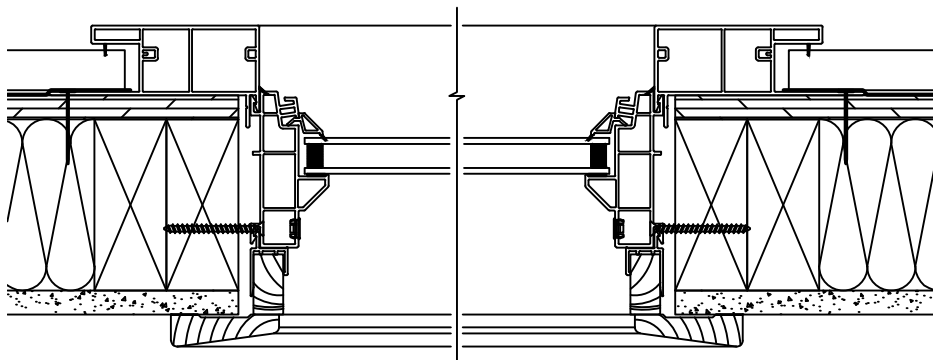
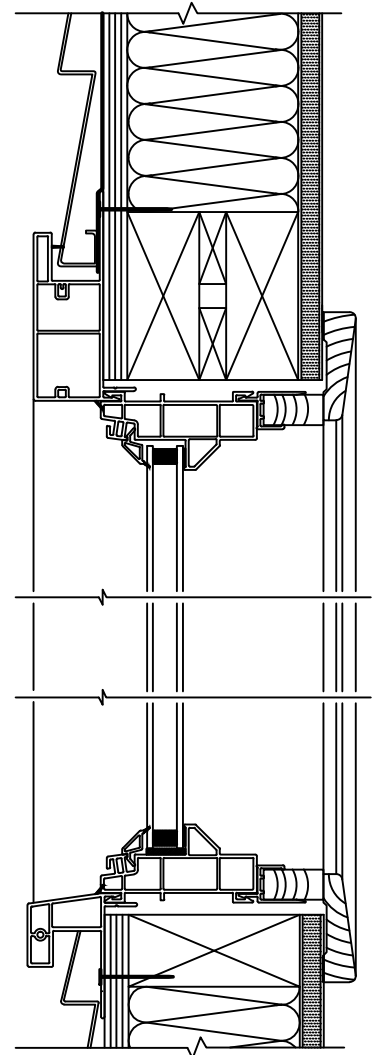


FOR GENERAL REFERENCE ONLY.
 NOT TO BE USED AS AN INSTALLATION
 GUIDELINE.


<p>Title/Description: Geo Picture Window Flat Casing (3-1/2") with Sill Nose E.I.F.S./Stucco</p>	<p>Product Series #: Series 8371</p> <p>Scale: 3" = 1' 0"</p>	 <p>Window Solutions For Life. 400 Riverside Industrial Parkway PO Box 10109 Portland ME. 04104 Tel. 207-878-9701 : Fax 207-797-6156 www.paradigmwindows.com</p>	<p>Page 3.2</p>
<p>NOTICE: This document contains information that is proprietary to and is protected by copyright of Paradigm Window Solutions For Life. This information may not be copied, disclosed to others or used for any purpose other than that for which it is given without written permission from Paradigm. Copyright © 2008 Paradigm Window Solutions For Life. All Rights Reserved.</p>	<p>Release Date: 05/06/09</p>		

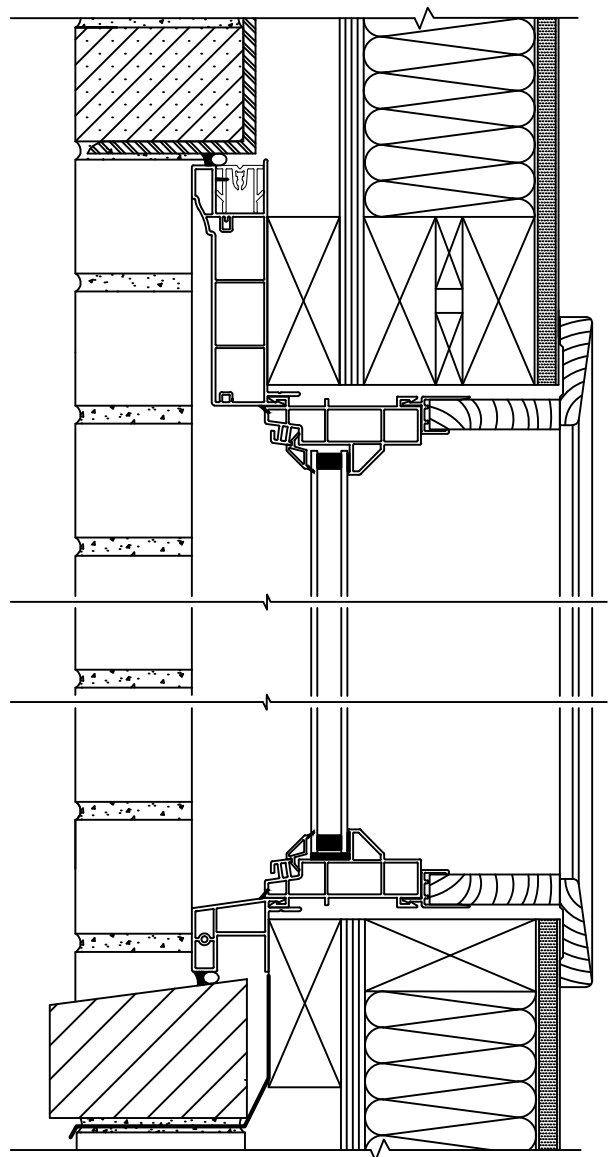
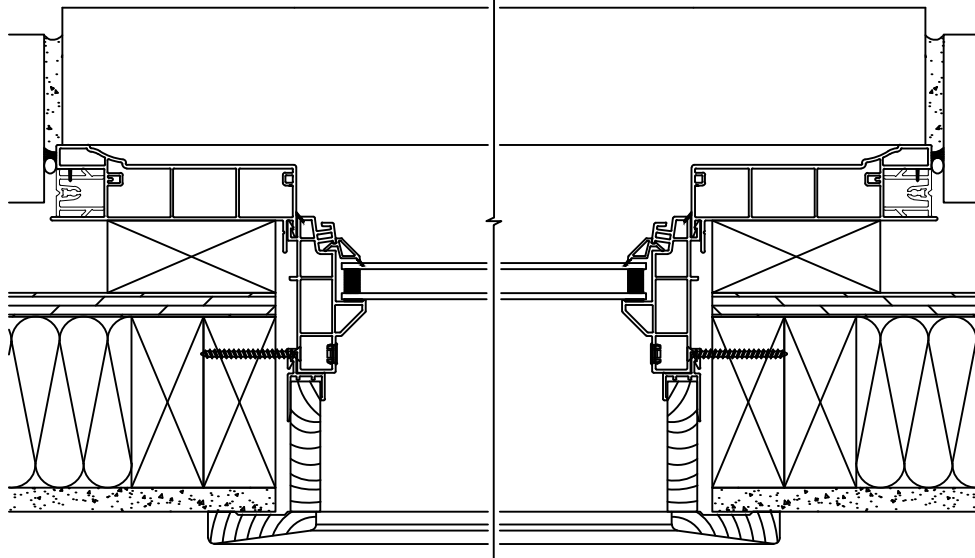


CROWN MOLD ACCESSORY
(AVAILABLE SEPARATELY)



FOR GENERAL REFERENCE ONLY.
NOT TO BE USED AS AN INSTALLATION
GUIDELINE.

Title/Description: Geo Picture Window Flat Casing (3-1/2") with Sill Nose Vinyl/Wood Siding		Product Series #: Series 8371	 Window Solutions For Life. 400 Riverside Industrial Parkway PO Box 10109 Portland ME. 04104 Tel. 207-878-9701 : Fax 207-797-6156 www.paradigmwindows.com	Page 3.3
		Scale: 3" = 1' 0"		
NOTICE: This document contains information that is proprietary to and is protected by copyright of Paradigm Window Solutions For Life. This information may not be copied, disclosed to others or used for any purpose other than that for which it is given without written permission from Paradigm. Copyright © 2008 Paradigm Window Solutions For Life. All Rights Reserved.		Release Date: 05/06/09		



FOR GENERAL REFERENCE ONLY.
 NOT TO BE USED AS AN INSTALLATION
 GUIDELINE.

Title/Description:

**Geo Picture Window
 5" Brickmould with Sill Nose
 Brick Veneer**

NOTICE: This document contains information that is proprietary to and is protected by copyright of Paradigm Window Solutions For Life. This information may not be copied, disclosed to others or used for any purpose other than that for which it is given without written permission from Paradigm. Copyright © 2008 Paradigm Window Solutions For Life. All Rights Reserved.

Release Date:

05/06/09

Product Series #:

Series 8371

Scale:

3" = 1' 0"

Drawn By:

BCG / DML

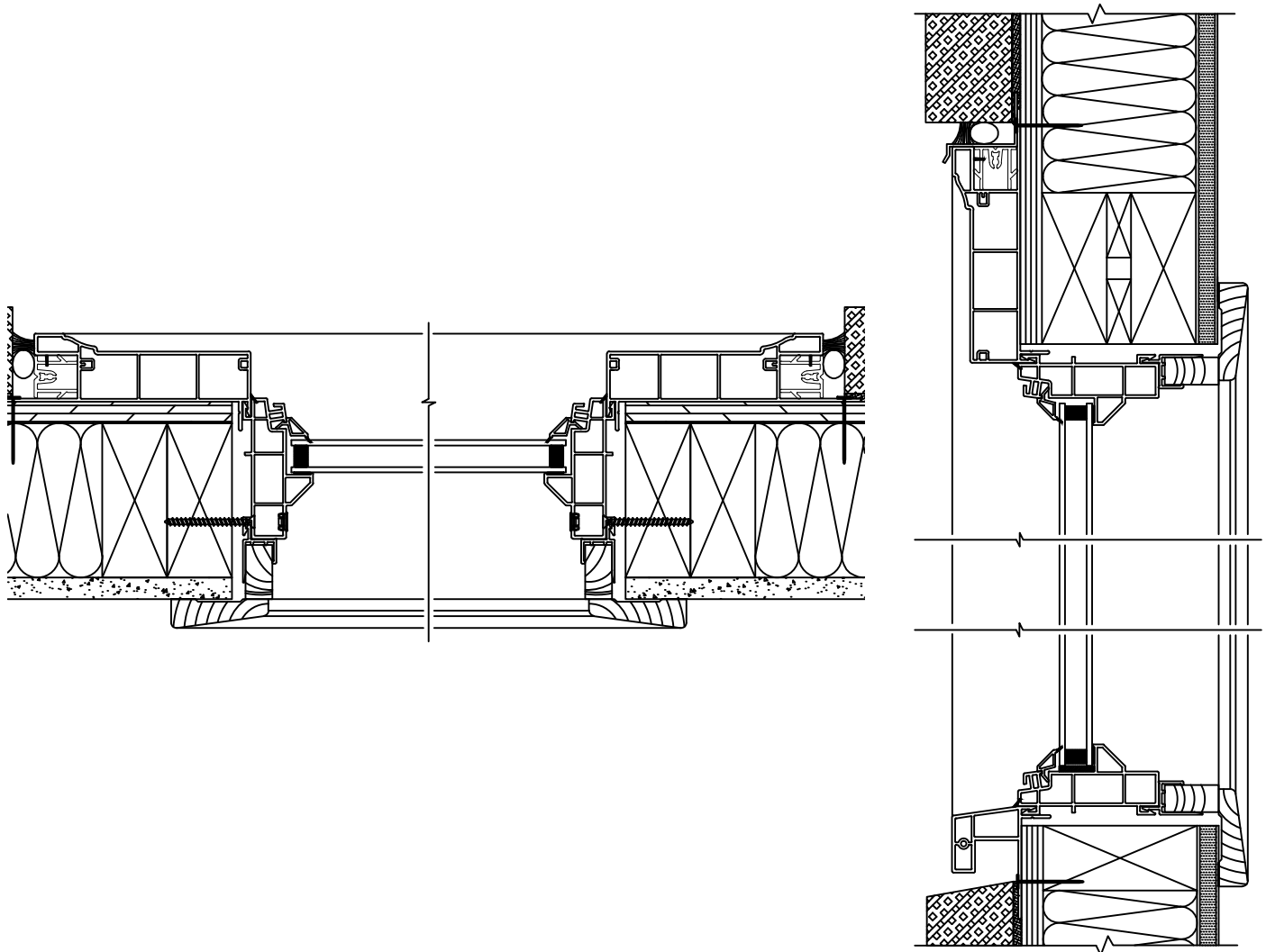


400 Riverside Industrial Parkway
 PO Box 10109
 Portland ME. 04104
 Tel. 207-878-9701 : Fax 207-797-6156
 www.paradigmwindows.com


**Page
 4.1**

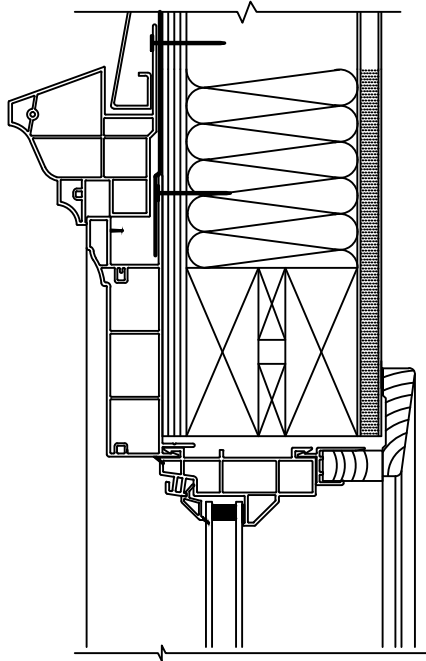
PLEASE NOTE:

E.I.F.S. INSTALLATION DETAILS ARE FOR ILLUSTRATIVE PURPOSES ONLY.
 FOLLOW YOUR E.I.F.S. MANUFACTURER'S INSTRUCTIONS FOR
 WINDOW/DOOR FLASHING AND SEALING METHODS.

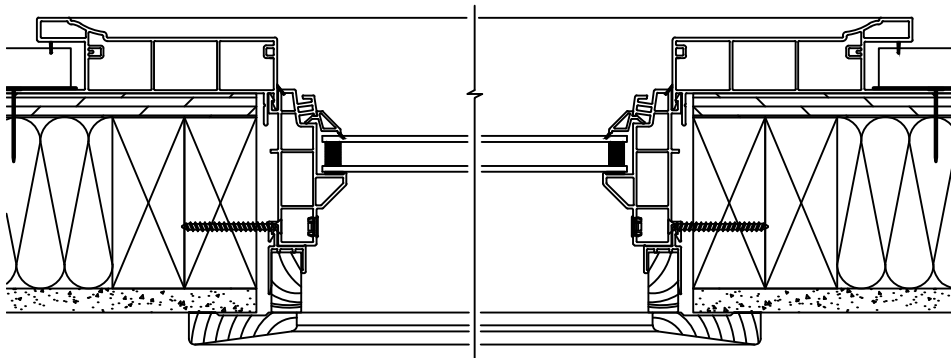
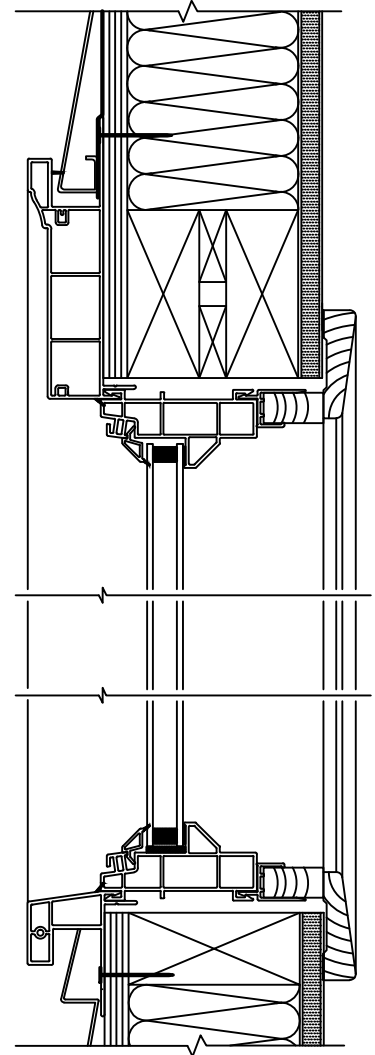


FOR GENERAL REFERENCE ONLY.
 NOT TO BE USED AS AN INSTALLATION
 GUIDELINE.

<p>Title/Description: Geo Picture Window 5" Brickmould with Sill Nose E.I.F.S./Stucco</p>	<p>Product Series #: Series 8371</p>	 <p>Window Solutions For Life. 400 Riverside Industrial Parkway PO Box 10109 Portland ME. 04104 Tel. 207-878-9701 : Fax 207-797-6156 www.paradigmwindows.com</p>	<p>Page 4.2</p>		
<p>NOTICE: This document contains information that is proprietary to and is protected by copyright of Paradigm Window Solutions For Life. This information may not be copied, disclosed to others or used for any purpose other than that for which it is given without written permission from Paradigm. Copyright © 2008 Paradigm Window Solutions For Life. All Rights Reserved.</p>	<p>Release Date: 05/06/09</p>			<p>Scale: 3" = 1' 0"</p>	
				<p>Drawn By: BCG / DML</p>	



CROWN MOLD ACCESSORY
(AVAILABLE SEPARATELY)



FOR GENERAL REFERENCE ONLY.
NOT TO BE USED AS AN INSTALLATION
GUIDELINE.

Title/Description:

**Geo Picture Window
5" Brickmould with Sill Nose
Vinyl/Wood Siding**

Product Series #:

Series 8371

Scale:

3" = 1' 0"

Drawn By:

BCG / DML



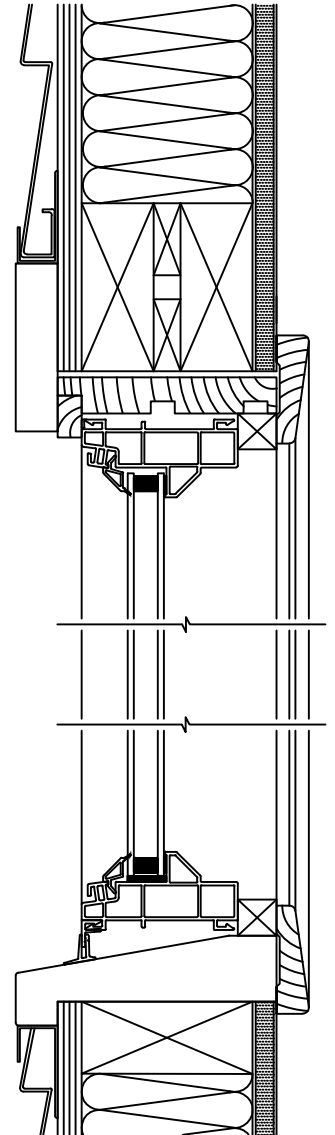
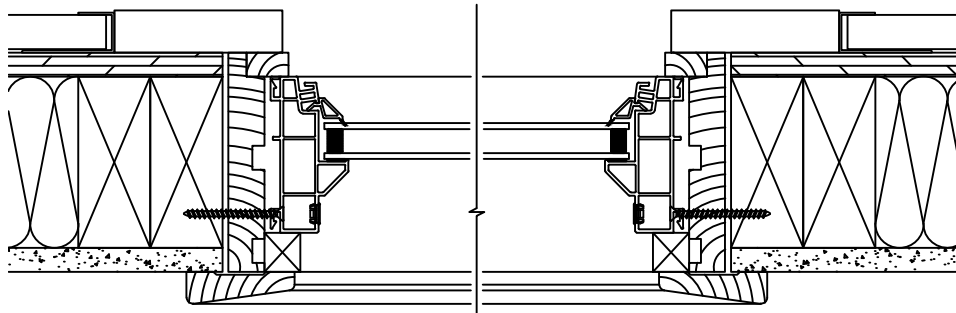
400 Riverside Industrial Parkway
PO Box 10109
Portland ME. 04104
Tel. 207-878-9701 : Fax 207-797-6156
www.paradigmwindows.com

**Page
4.3**

NOTICE: This document contains information that is proprietary to and is protected by copyright of Paradigm Window Solutions For Life. This information may not be copied, disclosed to others or used for any purpose other than that for which it is given without written permission from Paradigm. Copyright © 2008 Paradigm Window Solutions For Life. All Rights Reserved.

Release Date:

05/06/09



FOR GENERAL REFERENCE ONLY.
 NOT TO BE USED AS AN INSTALLATION
 GUIDELINE.

Title/Description:

**Geo Picture Window
 Replacement Window w/2-pc. Sill Extender
 Shown with Vinyl/Wood Siding**

Product Series #:

Series 8371

Scale:

3" = 1' 0"



400 Riverside Industrial Parkway
 PO Box 10109
 Portland ME. 04104
 Tel. 207-878-9701 : Fax 207-797-6156

www.paradigmwindows.com

Page

6.1

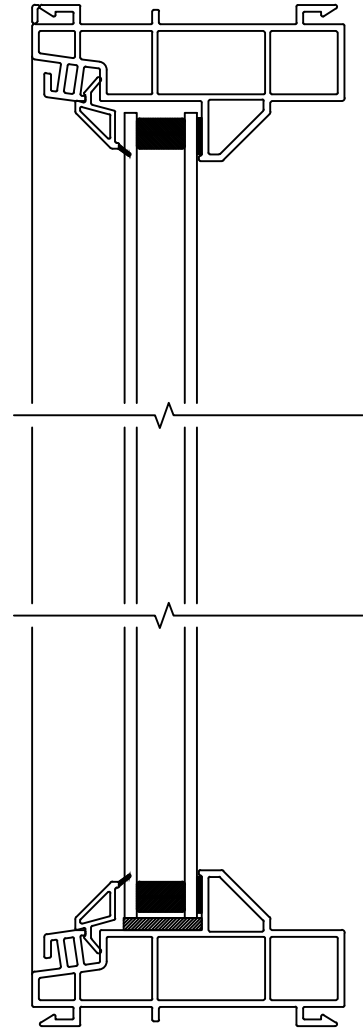
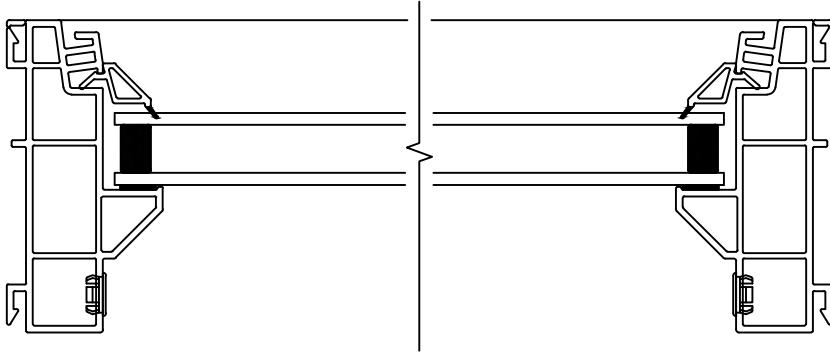
NOTICE: This document contains information that is proprietary to and is protected by copyright of Paradigm Window Solutions For Life. This information may not be copied, disclosed to others or used for any purpose other than that for which it is given without written permission from Paradigm. Copyright © 2008 Paradigm Window Solutions For Life. All Rights Reserved.

Release Date:

05/06/09

Drawn By:

BCG / DML



FOR GENERAL REFERENCE ONLY.
 NOT TO BE USED AS AN INSTALLATION
 GUIDELINE.

Title/Description:

**Geo Picture Window
 Replacement Window
 Shown without wall construction**

Product Series #:

Series 8371

Scale:

6" = 1' 0"



400 Riverside Industrial Parkway
 PO Box 10109
 Portland ME. 04104
 Tel. 207-878-9701 : Fax 207-797-6156

www.paradigmwindows.com

Page

6.2

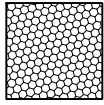
NOTICE: This document contains information that is proprietary to and is protected by copyright of Paradigm Window Solutions For Life. This information may not be copied, disclosed to others or used for any purpose other than that for which it is given without written permission from Paradigm. Copyright © 2008 Paradigm Window Solutions For Life. All Rights Reserved.

Release Date:

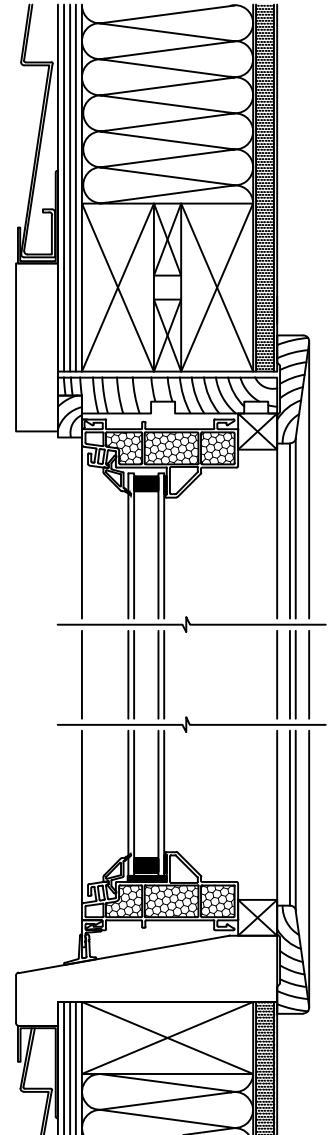
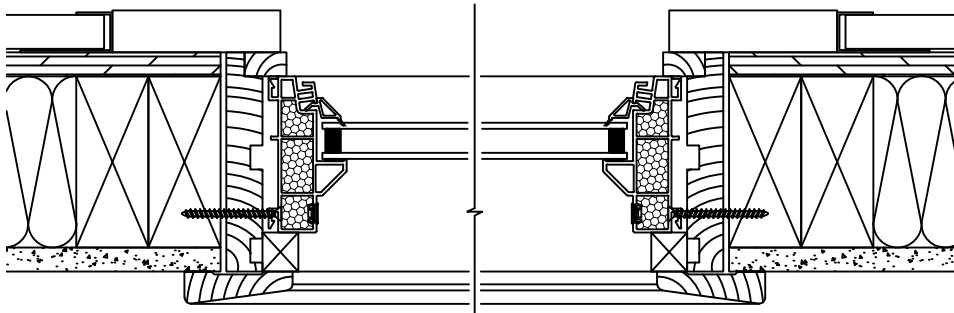
05/06/09

Drawn By:

BCG / DML



= FOAM FILLED AREA'S



FOR GENERAL REFERENCE ONLY.
NOT TO BE USED AS AN INSTALLATION
GUIDELINE.

Title/Description:

**Geo Picture Window – Foam Filled
Replacement Window w/2-pc. Sill Extender
Shown with Vinyl/Wood Siding**

Product Series #:

Series 8371

Scale:

3" = 1' 0"



400 Riverside Industrial Parkway
PO Box 10109
Portland ME. 04104
Tel. 207-878-9701 : Fax 207-797-6156

www.paradigmwindows.com

Page

6.3

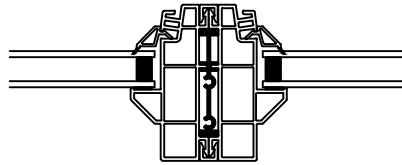
NOTICE: This document contains information that is proprietary to and is protected by copyright of Paradigm Window Solutions For Life. This information may not be copied, disclosed to others or used for any purpose other than that for which it is given without written permission from Paradigm. Copyright © 2008 Paradigm Window Solutions For Life. All Rights Reserved.

Release Date:

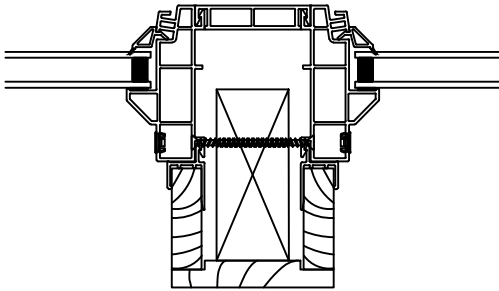
05/06/09

Drawn By:

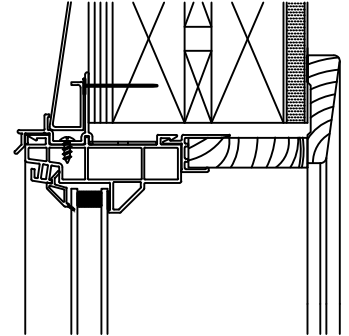
BCG / DML



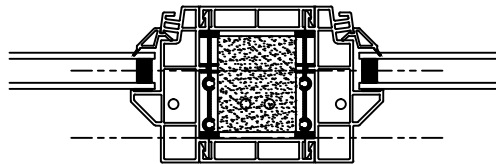
STANDARD MULL @ JAMBS



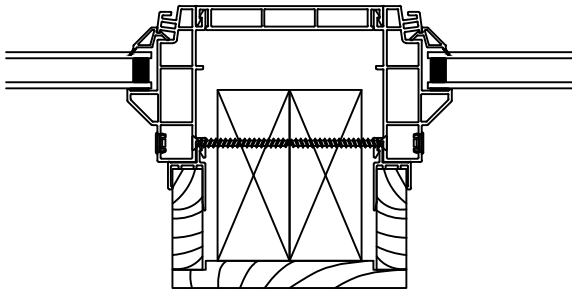
SINGLE STUD-POCKET, 1 SIDED



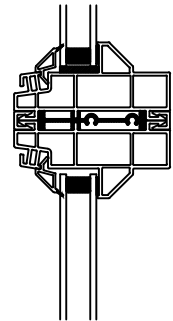
HORIZ. MULL @ HEAD
(W/O CASING)



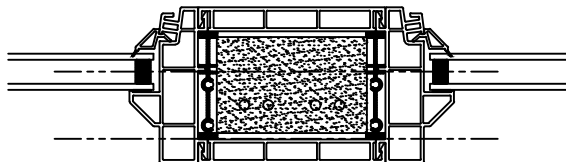
SINGLE STUD-POCKET, 2 SIDED



DOUBLE STUD-POCKET, 1 SIDED



MULL @ TRANSOM



DOUBLE STUD-POCKET, 2 SIDED

Title/Description:

Geo Picture Window
Mull Details, Various

-

Product Series #:

Series 8371

Scale:

3" = 1' 0"

Drawn By:

BCG / DML

Release Date:

05/06/09

paradigm
Window Solutions For Life.

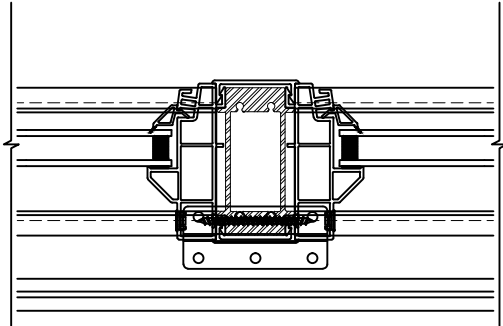
400 Riverside Industrial Parkway
PO Box 10109
Portland ME. 04104
Tel. 207-878-9701 : Fax 207-797-6156

www.paradigmwindows.com

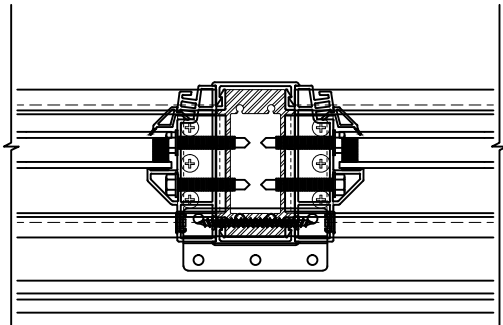
Page

A.1

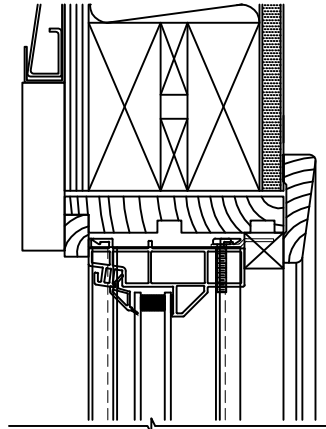
NOTICE: This document contains information that is proprietary to and is protected by copyright of Paradigm Window Solutions For Life. This information may not be copied, disclosed to others or used for any purpose other than that for which it is given without written permission from Paradigm. Copyright © 2008 Paradigm Window Solutions For Life. All Rights Reserved.



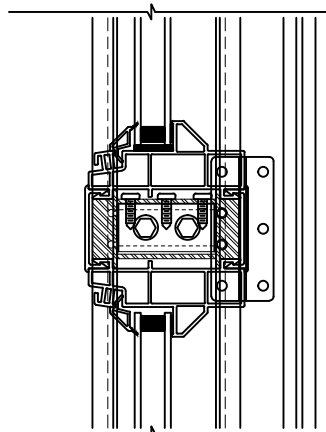
PLAN SECTION @ MULL W/O CROSS "T" MULL



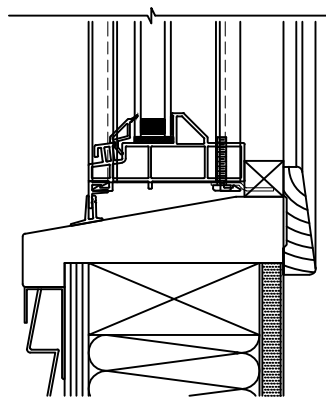
PLAN SECTION @ MULL WITH CROSS "T" MULL



SECTION @ HEAD



SECTION @ TRANSOM



SECTION @ SILL

Title/Description:

**Geo Picture Window
Mull Details, 1-1/4" Structural (Repl. Only)**

Product Series #:

Series 8371

Scale:

3" = 1' 0"



400 Riverside Industrial Parkway
PO Box 10109
Portland ME. 04104
Tel. 207-878-9701 : Fax 207-797-6156

www.paradigmwindows.com

Page

A.2

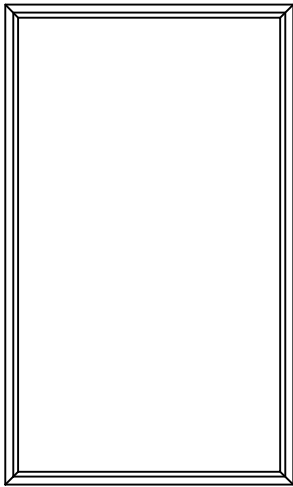
NOTICE: This document contains information that is proprietary to and is protected by copyright of Paradigm Window Solutions For Life. This information may not be copied, disclosed to others or used for any purpose other than that for which it is given without written permission from Paradigm. Copyright © 2008 Paradigm Window Solutions For Life. All Rights Reserved.

Release Date:

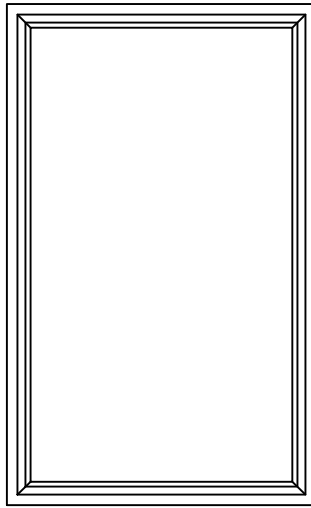
05/06/09

Drawn By:

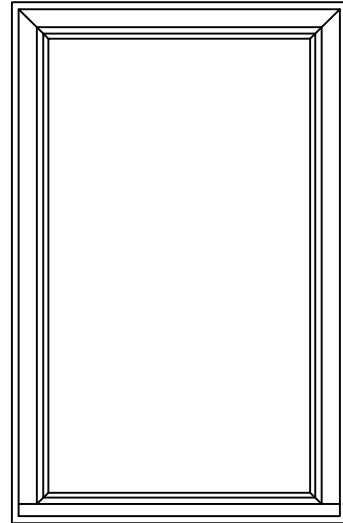
BCG / DML



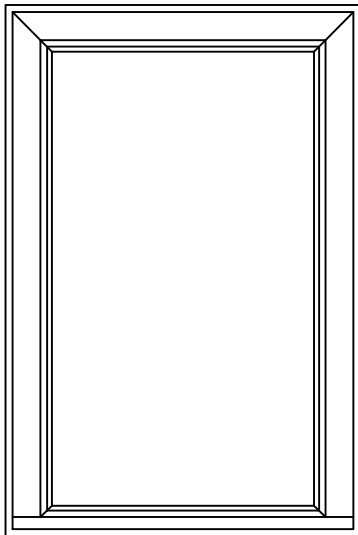
REPLACEMENT



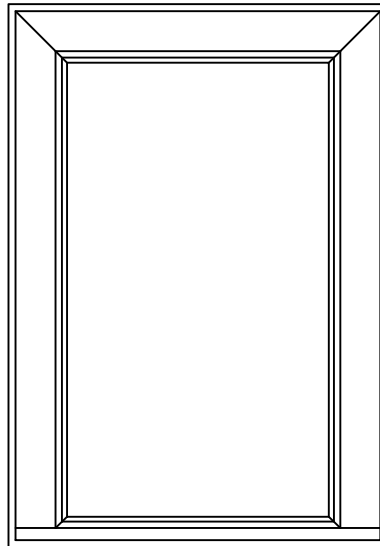
NEW CONSTRUCTION



908 BRICKMOLD &
SILL NOSE



FLAT CASING &
SILL NOSE



5" BRICKMOLD &
SILL NOSE

Title/Description:

**Geo Picture Window
Elevation Views, Single Windows
Shown as 36" x 60" Window**

Product Series #:

Series 8371

Scale:

1/2" = 1' 0"

Drawn By:

BCG / DML

Release Date:

05/06/09



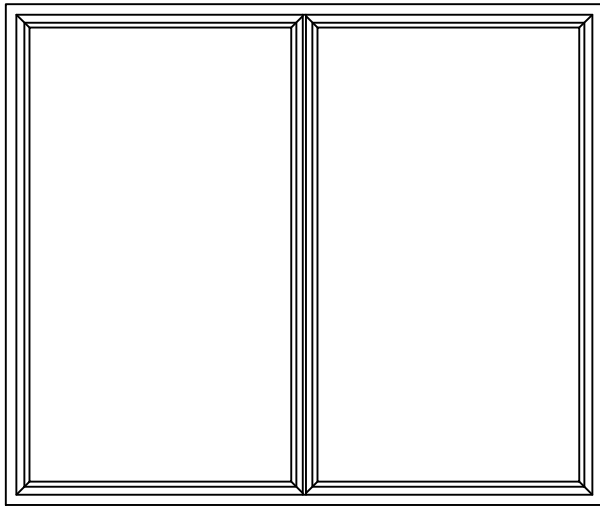
Window Solutions For Life.

400 Riverside Industrial Parkway
PO Box 10109
Portland ME. 04104
Tel. 207-878-9701 : Fax 207-797-6156

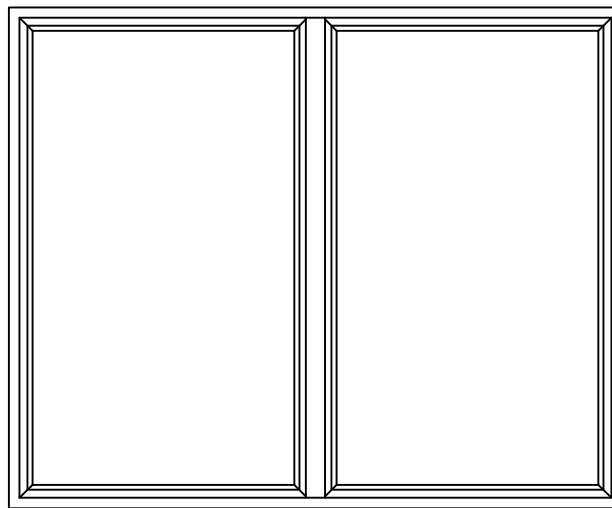
www.paradigmwindows.com

**Page
A.3**

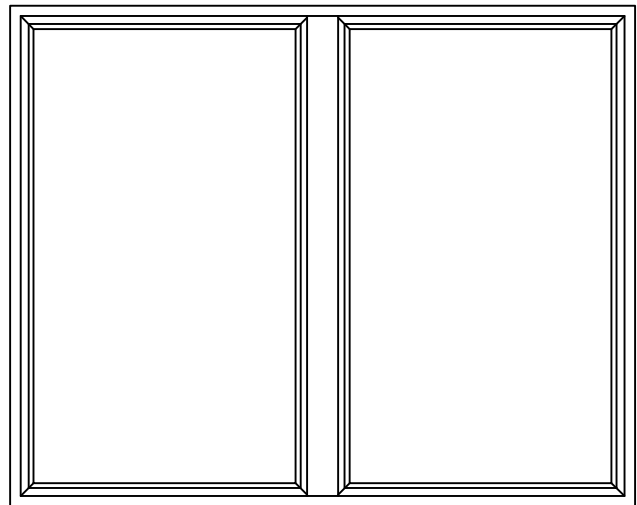
NOTICE: This document contains information that is proprietary to and is protected by copyright of Paradigm Window Solutions For Life. This information may not be copied, disclosed to others or used for any purpose other than that for which it is given without written permission from Paradigm. Copyright © 2008 Paradigm Window Solutions For Life. All Rights Reserved.




0° MULL



SINGLE STUD POCKET



DOUBLE STUD POCKET

<p>Title/Description:</p> <p>Geo Picture Window Elevation Views, Mull Windows Shown as 36" x 60" Window</p>	<p>Product Series #:</p> <p>Series 8371</p>	 <p>Window Solutions For Life.</p> <p>400 Riverside Industrial Parkway PO Box 10109 Portland ME. 04104 Tel. 207-878-9701 : Fax 207-797-6156 www.paradigmwindows.com</p>	<p>Page A.4</p>	
<p>NOTICE: This document contains information that is proprietary to and is protected by copyright of Paradigm Window Solutions For Life. This information may not be copied, disclosed to others or used for any purpose other than that for which it is given without written permission from Paradigm. Copyright © 2008 Paradigm Window Solutions For Life. All Rights Reserved.</p>	<p>Release Date:</p> <p>05/06/09</p>			<p>Scale:</p> <p>1/2" = 1' 0"</p>
				<p>Drawn By:</p> <p>BCG / DML</p>