
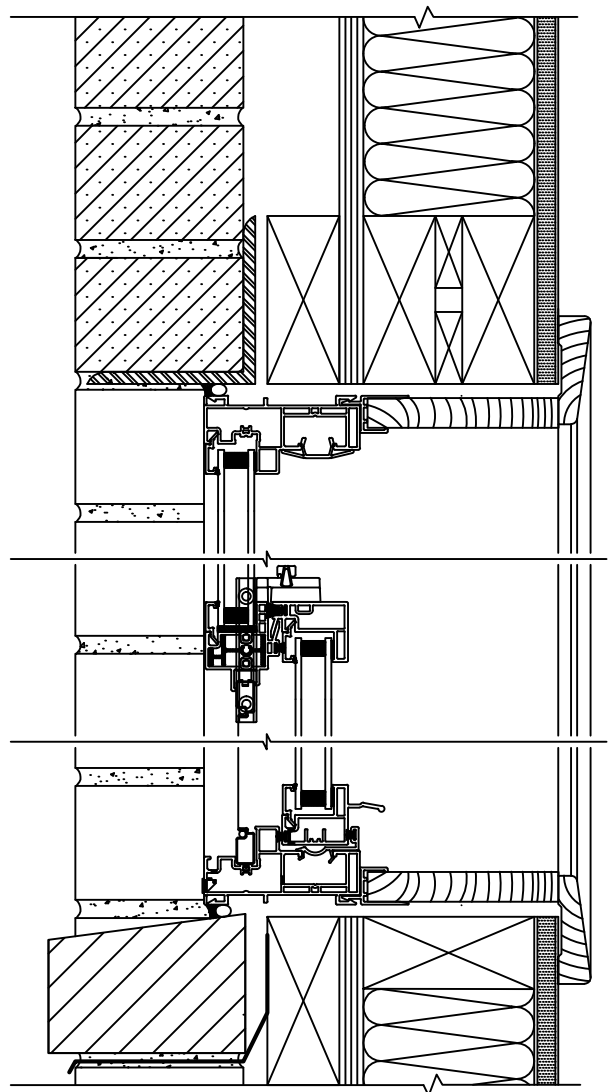
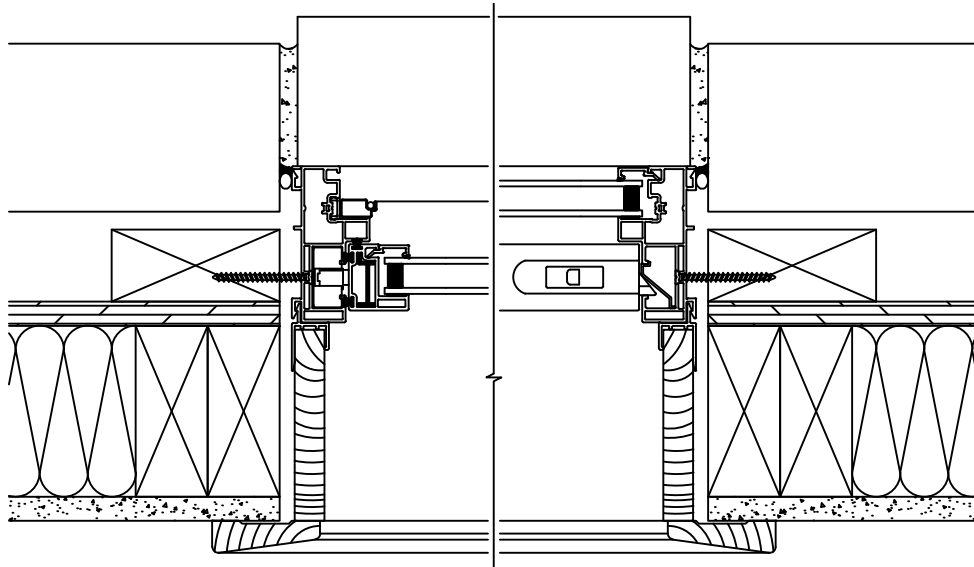


# Single Hung

## Table of Contents

NEW CONSTRUCTION - BRICK VENEER.....	1.1
NEW CONSTRUCTION - E.I.F.S./STUCCO.....	1.2
NEW CONSTRUCTION - VINYL/WOOD SIDING.....	1.3
NEW CONSTRUCTION - WITHOUT WALL CONSTRUCTION.....	1.4
908 BRICKMOULD (2-1/4") - BRICK VENEER.....	2.1
908 BRICKMOULD (2-1/4") - E.I.F.S./STUCCO.....	2.2
908 BRICKMOULD (2-1/4") - VINYL/WOOD SIDING.....	2.3
FLAT CASING (3-1/2") - BRICK VENEER.....	3.1
FLAT CASING (3-1/2") - E.I.F.S./STUCCO.....	3.2
FLAT CASING (3-1/2") - VINYL/WOOD SIDING.....	3.3
5" BRICKMOULD - BRICK VENEER.....	4.1
5" BRICKMOULD - E.I.F.S./STUCCO.....	4.2
5" BRICKMOULD - VINYL/WOOD SIDING.....	4.3
REPLACEMENT WINDOW - NO SPECIFIC SIDING.....	6.1
REPLACEMENT WINDOW - WITHOUT WALL CONSTRUCTION.....	6.2
REPLACEMENT WINDOW - WITH 908 BRICKMOULD & SN IN BRICK VENEER.....	6.3
MULL DETAILS - NO SPECIFIC SIDING.....	A.1
MULL DETAILS (1-1/4" STRUCTURAL) - NO SPECIFIC SIDING.....	A.2
ELEVATION VIEWS - SINGLE WINDOWS.....	A.3
ELEVATION VIEWS - MULLED WINDOWS.....	A.4

Title/Description: <b>Single Hung Window Series Table of Contents</b>		Product Series #: <b>Series 8381</b>	 <p>Window Solutions For Life. 400 Riverside Industrial Parkway PO Box 10109 Portland ME. 04104 Tel. 207-878-9701 : Fax 207-797-6156 www.paradigmwindows.com</p>	<b>Page</b>  <b>T.O.C.</b>
NOTICE: This document contains information that is proprietary to and is protected by copyright of Paradigm Window Solutions For Life. This information may not be copied, disclosed to others or used for any purpose other than that for which it is given without written permission from Paradigm. Copyright © 2008 Paradigm Window Solutions For Life. All Rights Reserved.		Scale: -		
Release Date: <b>5/12/09</b>	Drawn By: <b>BCG / DML</b>			



FOR GENERAL REFERENCE ONLY.  
 NOT TO BE USED AS AN INSTALLATION  
 GUIDELINE.

Title/Description:

**Single Hung  
 New Construction (No casing or sill nose)  
 Brick Veneer**

Product Series #:

**Series 8381**

Scale:

**3" = 1' 0"**

Drawn By:

**BCG / DML**



400 Riverside Industrial Parkway  
 PO Box 10109  
 Portland ME. 04104  
 Tel. 207-878-9701 : Fax 207-797-6156  
 www.paradigmwindows.com

Page

**1.1**

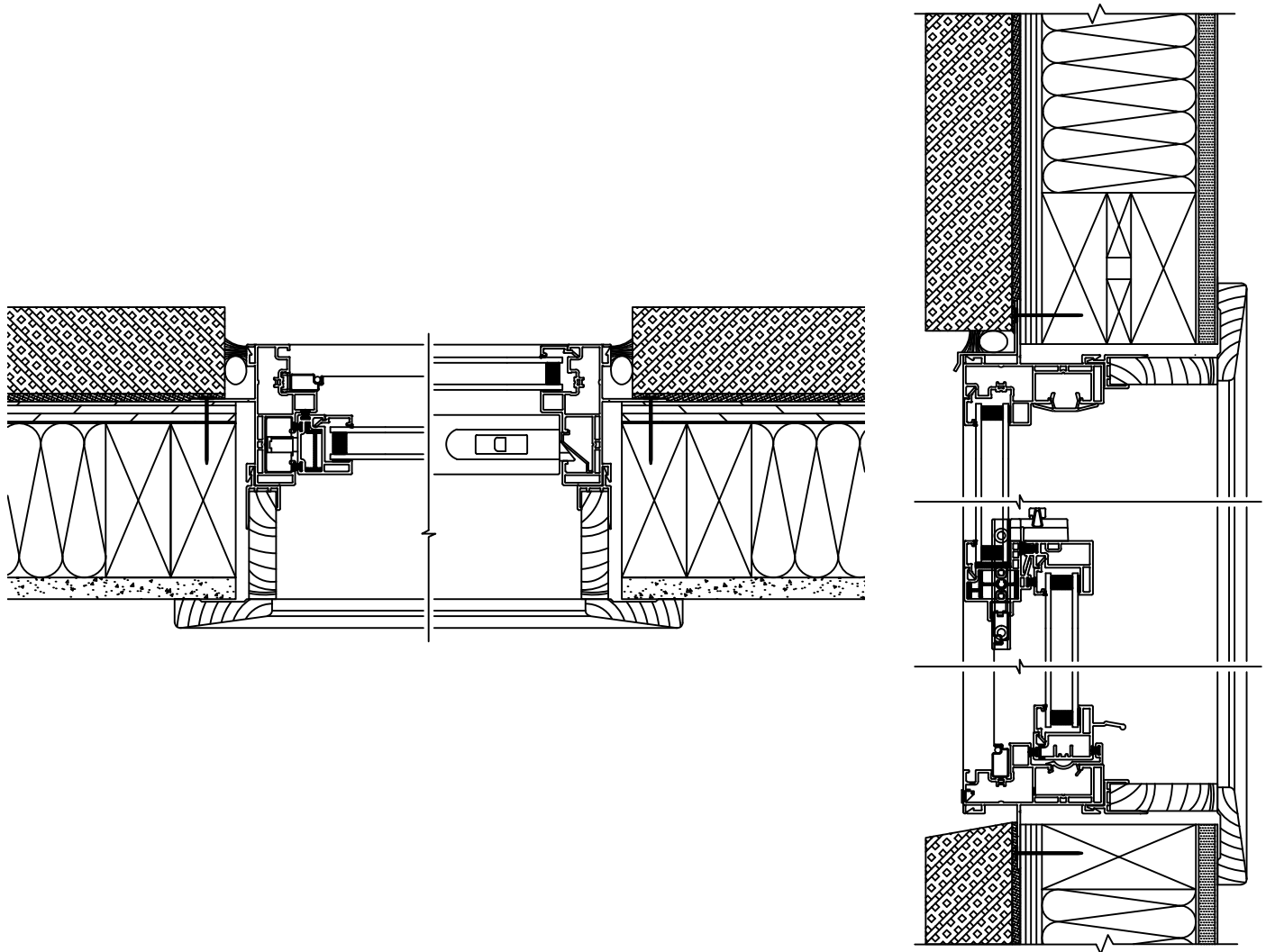
NOTICE: This document contains information that is proprietary to and is protected by copyright of Paradigm Window Solutions For Life. This information may not be copied, disclosed to others or used for any purpose other than that for which it is given without written permission from Paradigm. Copyright © 2008 Paradigm Window Solutions For Life. All Rights Reserved.

Release Date:


**5/12/09**

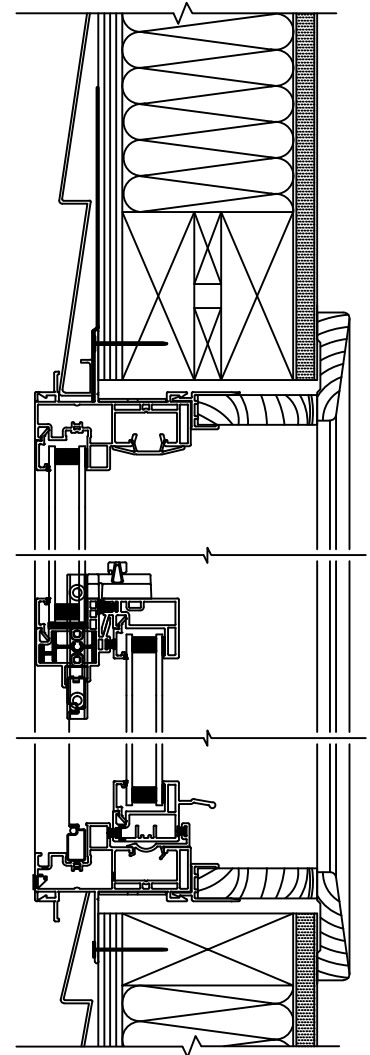
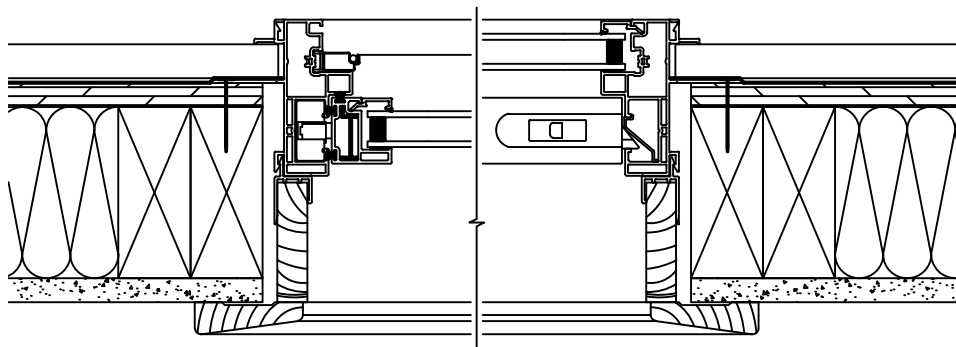
PLEASE NOTE:

E.I.F.S. INSTALLATION DETAILS ARE FOR ILLUSTRATIVE PURPOSES ONLY.  
 FOLLOW YOUR E.I.F.S. MANUFACTURER'S INSTRUCTIONS FOR  
 WINDOW/DOOR FLASHING AND SEALING METHODS.



FOR GENERAL REFERENCE ONLY.  
 NOT TO BE USED AS AN INSTALLATION  
 GUIDELINE.

<p>Title/Description:  <b>Single Hung                  New Construction (No casing or sill nose)                  E.I.F.S./Stucco</b></p>	<p>Product Series #:  <b>Series 8381</b></p>	 <p>Window Solutions For Life.                  400 Riverside Industrial Parkway                  PO Box 10109                  Portland ME. 04104                  Tel. 207-878-9701 : Fax 207-797-6156                  www.paradigmwindows.com</p>	<p>Page  <b>1.2</b></p>		
<p>NOTICE: This document contains information that is proprietary to and is protected by copyright of Paradigm Window Solutions For Life. This information may not be copied, disclosed to others or used for any purpose other than that for which it is given without written permission from Paradigm. Copyright © 2008 Paradigm Window Solutions For Life. All Rights Reserved.</p>	<p>Release Date:  <b>5/12/09</b></p>			<p>Scale:  <b>3" = 1' 0"</b></p>	<p>Drawn By:  <b>BCG / DML</b></p>



FOR GENERAL REFERENCE ONLY.  
 NOT TO BE USED AS AN INSTALLATION  
 GUIDELINE.

Title/Description:

**Single Hung  
 New Construction (No casing or sill nose)  
 Vinyl/Wood Siding**

Product Series #:

**Series 8381**

Scale:

**3" = 1' 0"**



400 Riverside Industrial Parkway  
 PO Box 10109  
 Portland ME. 04104  
 Tel. 207-878-9701 : Fax 207-797-6156

www.paradigmwindows.com

Page

**1.3**

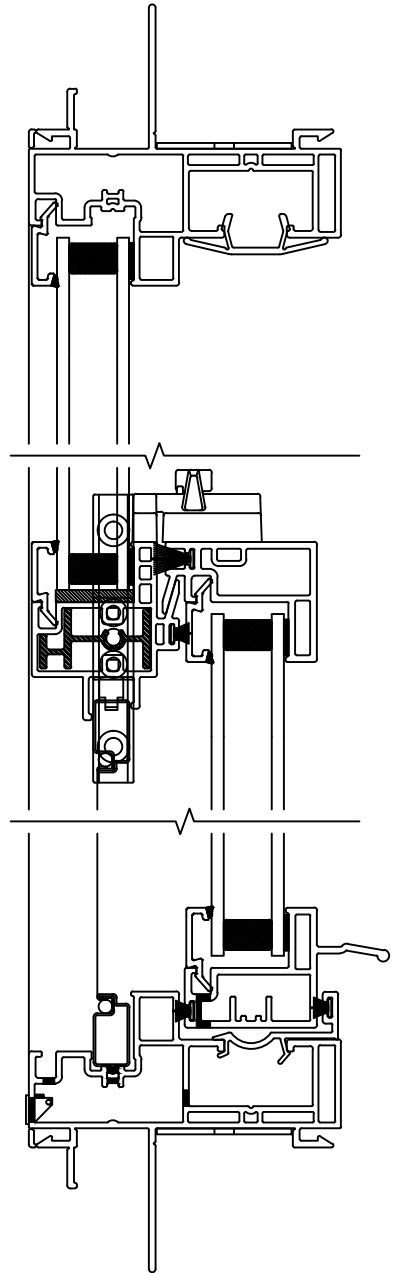
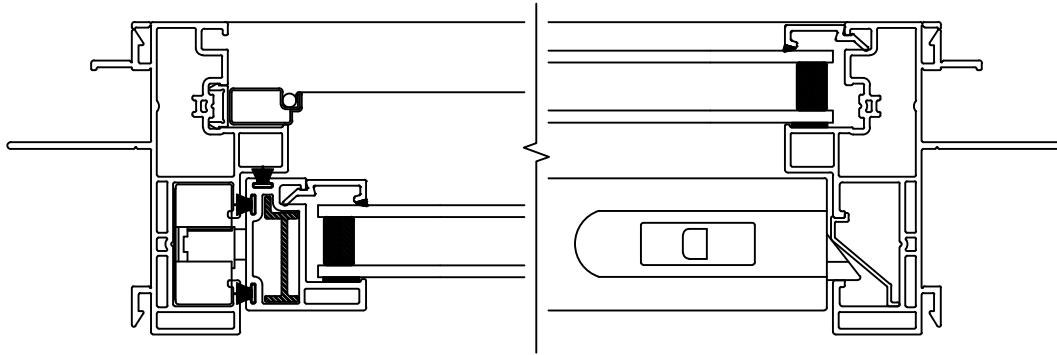
NOTICE: This document contains information that is proprietary to and is protected by copyright of Paradigm Window Solutions For Life. This information may not be copied, disclosed to others or used for any purpose other than that for which it is given without written permission from Paradigm. Copyright © 2008 Paradigm Window Solutions For Life. All Rights Reserved.

Release Date:

**5/12/09**

Drawn By:

**BCG / DML**



FOR GENERAL REFERENCE ONLY.  
 NOT TO BE USED AS AN INSTALLATION  
 GUIDELINE.

Title/Description:

**Single Hung  
 New Construction (No casing or sill nose)  
 Shown without wall construction**

Product Series #:

**Series 8381**

Scale:

**6" = 1' 0"**



400 Riverside Industrial Parkway  
 PO Box 10109  
 Portland ME. 04104  
 Tel. 207-878-9701 : Fax 207-797-6156

www.paradigmwindows.com

Page

**1.4**

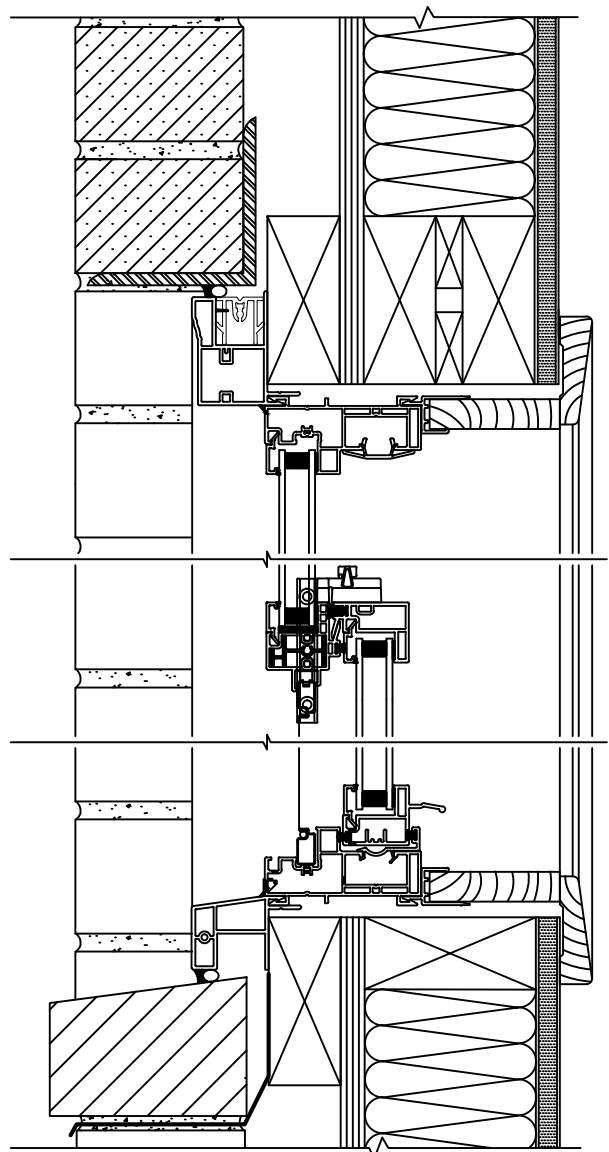
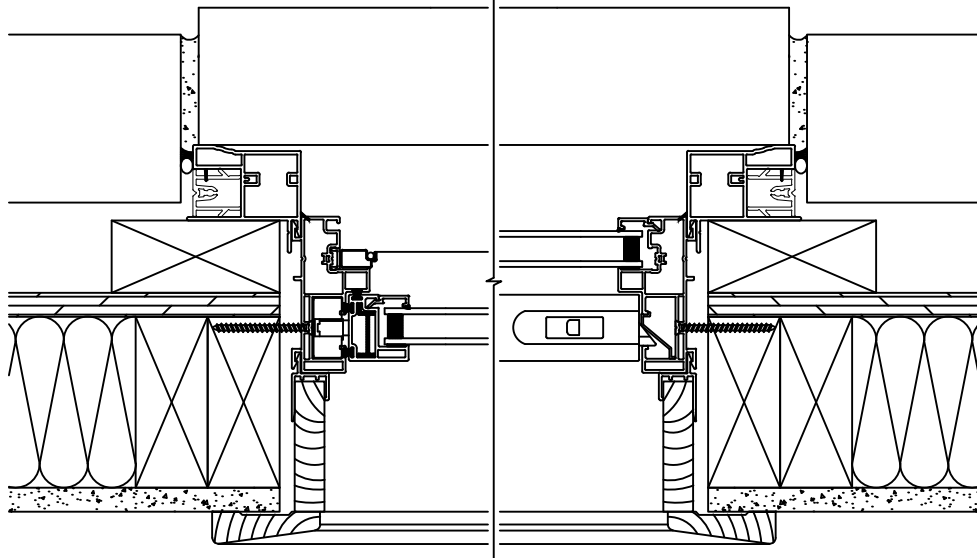
NOTICE: This document contains information that is proprietary to and is protected by copyright of Paradigm Window Solutions For Life. This information may not be copied, disclosed to others or used for any purpose other than that for which it is given without written permission from Paradigm. Copyright © 2008 Paradigm Window Solutions For Life. All Rights Reserved.

Release Date:

**5/12/09**

Drawn By:

**BCG / DML**



FOR GENERAL REFERENCE ONLY.  
 NOT TO BE USED AS AN INSTALLATION  
 GUIDELINE.

Title/Description:

**Single Hung  
 908 Brickmould (2-1/4") with Sill Nose  
 Brick Veneer**

Product Series #:

**Series 8381**

Scale:

**3" = 1' 0"**

Drawn By:

**BCG / DML**



400 Riverside Industrial Parkway  
 PO Box 10109  
 Portland ME. 04104  
 Tel. 207-878-9701 : Fax 207-797-6156  
 www.paradigmwindows.com

**Page  
 2.1**

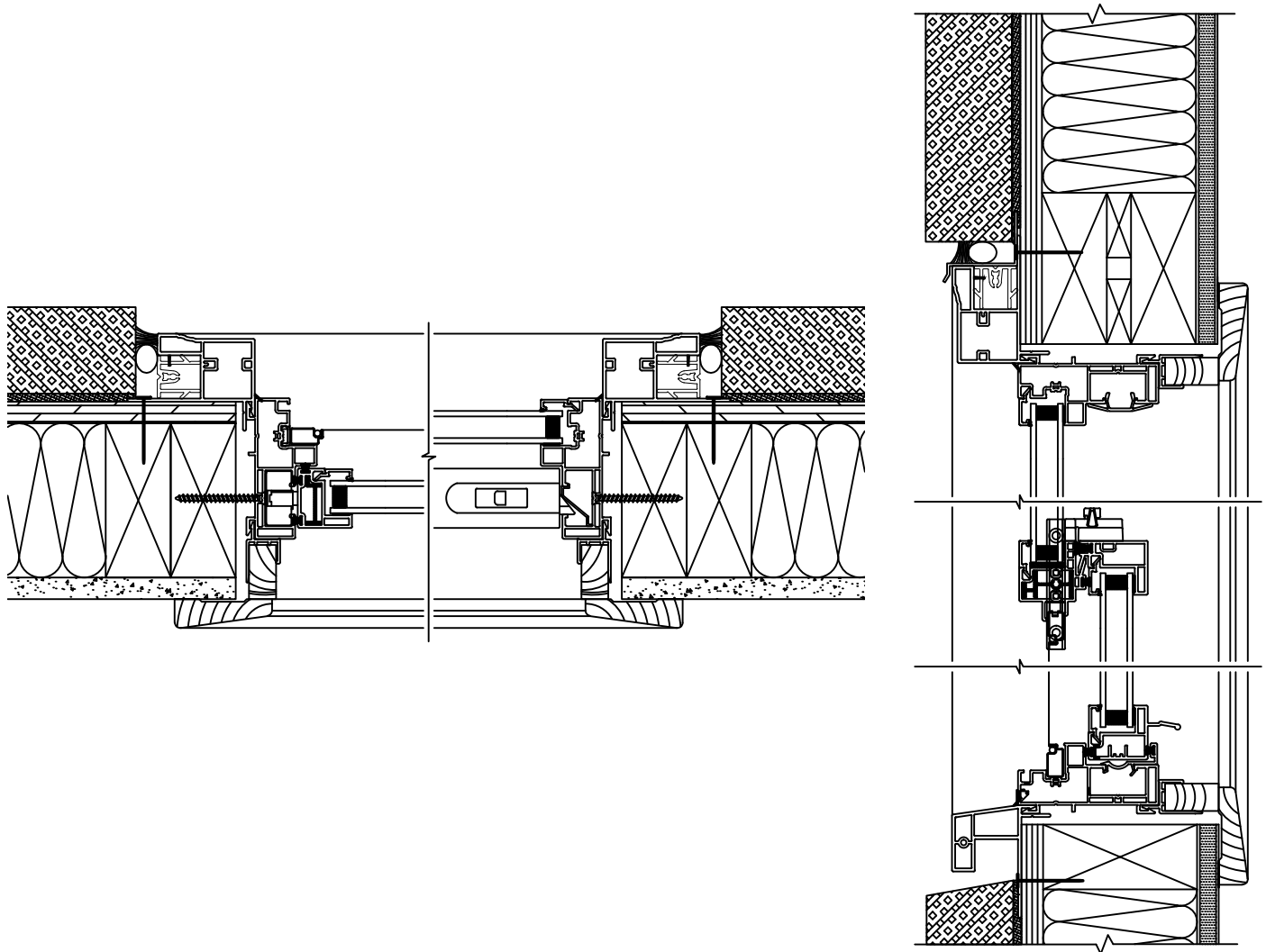
NOTICE: This document contains information that is proprietary to and is protected by copyright of Paradigm Window Solutions For Life. This information may not be copied, disclosed to others or used for any purpose other than that for which it is given without written permission from Paradigm. Copyright © 2008 Paradigm Window Solutions For Life. All Rights Reserved.

Release Date:

**5/12/09**

**PLEASE NOTE:**

E.I.F.S. INSTALLATION DETAILS ARE FOR ILLUSTRATIVE PURPOSES ONLY.  
 FOLLOW YOUR E.I.F.S. MANUFACTURER'S INSTRUCTIONS FOR  
 WINDOW/DOOR FLASHING AND SEALING METHODS.



FOR GENERAL REFERENCE ONLY.  
 NOT TO BE USED AS AN INSTALLATION  
 GUIDELINE.

Title/Description:

**Single Hung  
 908 Brickmould (2-1/4") with Sill Nose  
 E.I.F.S./Stucco**

Product Series #:

**Series 8381**

Scale:

**3" = 1' 0"**



400 Riverside Industrial Parkway  
 PO Box 10109  
 Portland ME. 04104  
 Tel. 207-878-9701 : Fax 207-797-6156

www.paradigmwindows.com

**Page**

**2.2**

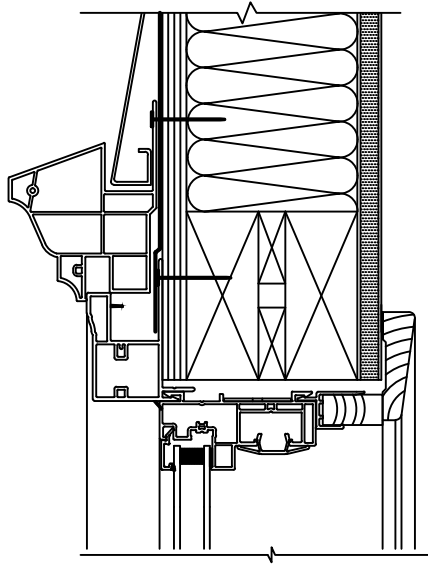
NOTICE: This document contains information that is proprietary to and is protected by copyright of Paradigm Window Solutions For Life. This information may not be copied, disclosed to others or used for any purpose other than that for which it is given without written permission from Paradigm. Copyright © 2008 Paradigm Window Solutions For Life. All Rights Reserved.

Release Date:

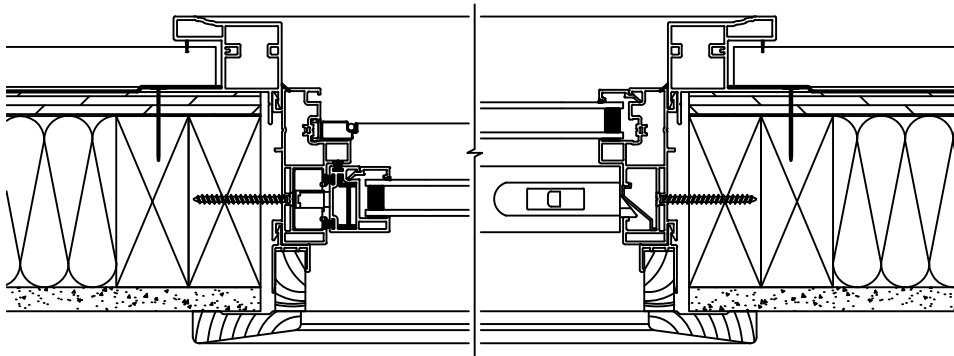
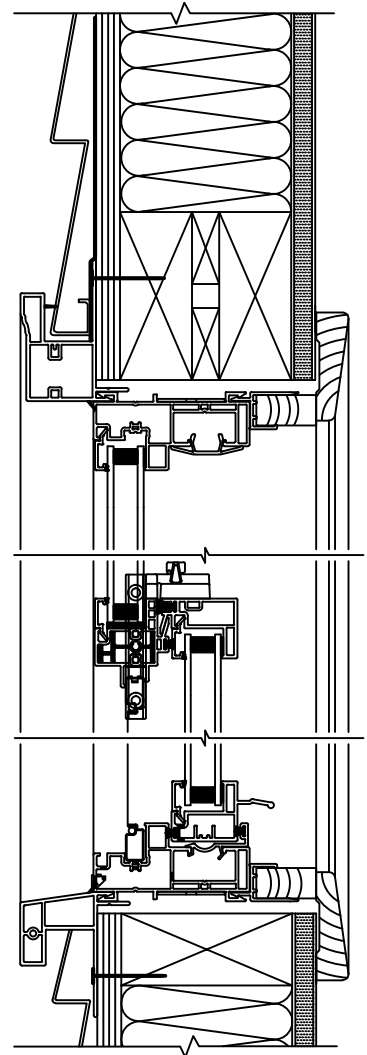
**5/12/09**

Drawn By:

**BCG / DML**



CROWN MOLD ACCESSORY  
(AVAILABLE SEPARATELY)



FOR GENERAL REFERENCE ONLY.  
NOT TO BE USED AS AN INSTALLATION  
GUIDELINE.

Title/Description:

**Single Hung  
908 Brickmould (2-1/4") with Sill Nose  
Vinyl/Wood Siding**

Product Series #:

**Series 8381**

Scale:

**3" = 1' 0"**

Drawn By:

**BCG / DML**



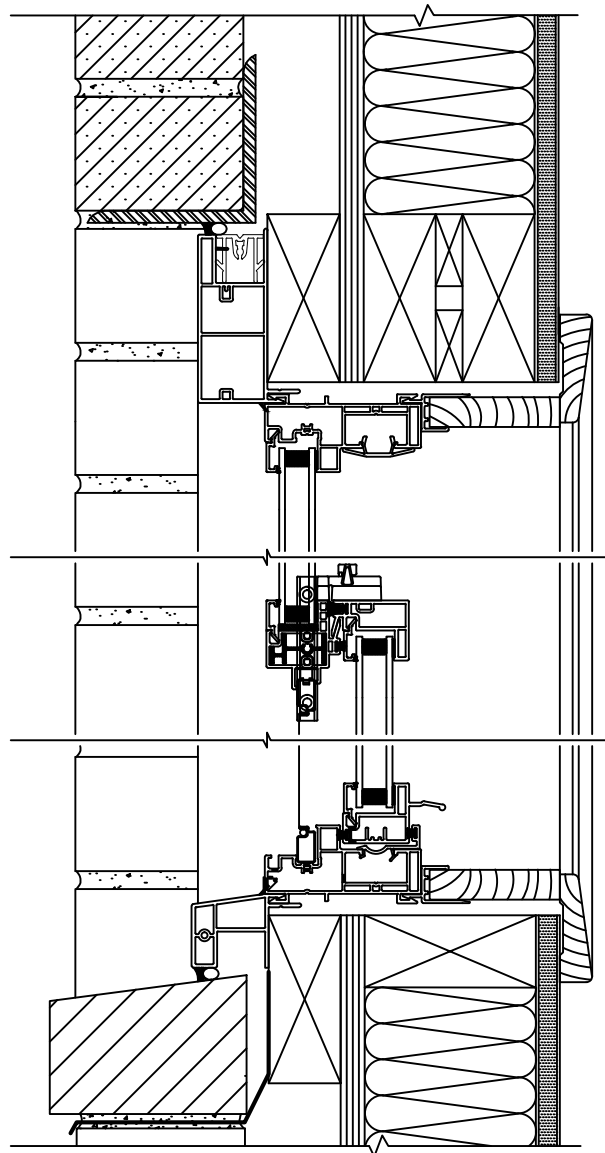
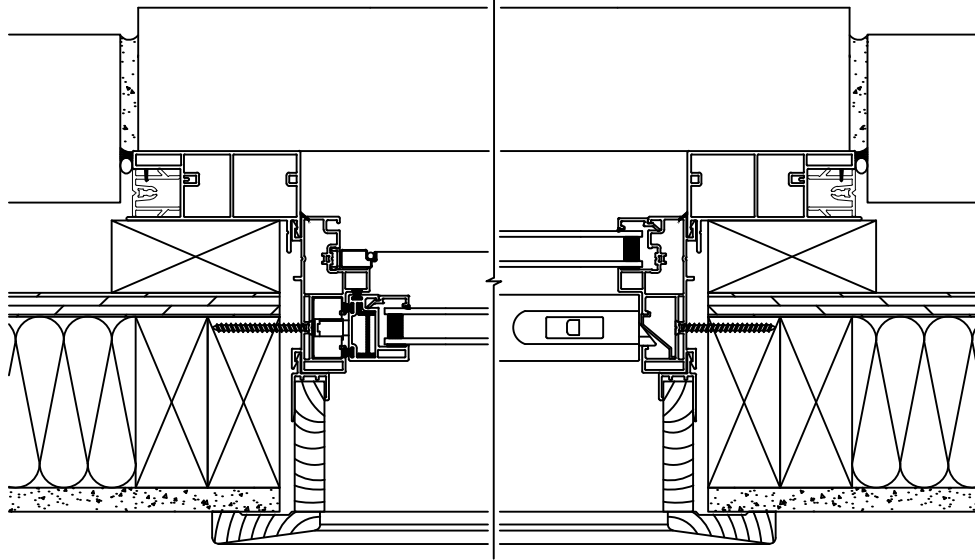
400 Riverside Industrial Parkway  
PO Box 10109  
Portland ME. 04104  
Tel. 207-878-9701 : Fax 207-797-6156  
www.paradigmwindows.com

**Page  
2.3**

NOTICE: This document contains information that is proprietary to and is protected by copyright of Paradigm Window Solutions For Life. This information may not be copied, disclosed to others or used for any purpose other than that for which it is given without written permission from Paradigm. Copyright © 2008 Paradigm Window Solutions For Life. All Rights Reserved.

Release Date:

**5/12/09**



FOR GENERAL REFERENCE ONLY.  
 NOT TO BE USED AS AN INSTALLATION  
 GUIDELINE.

Title/Description:

**Single Hung  
 Flat Casing (3-1/2") with Sill Nose  
 Brick Veneer**

Product Series #:

**Series 8381**

Scale:

**3" = 1' 0"**

Drawn By:

**BCG / DML**



400 Riverside Industrial Parkway  
 PO Box 10109  
 Portland ME. 04104  
 Tel. 207-878-9701 : Fax 207-797-6156  
 www.paradigmwindows.com

Page

**3.1**

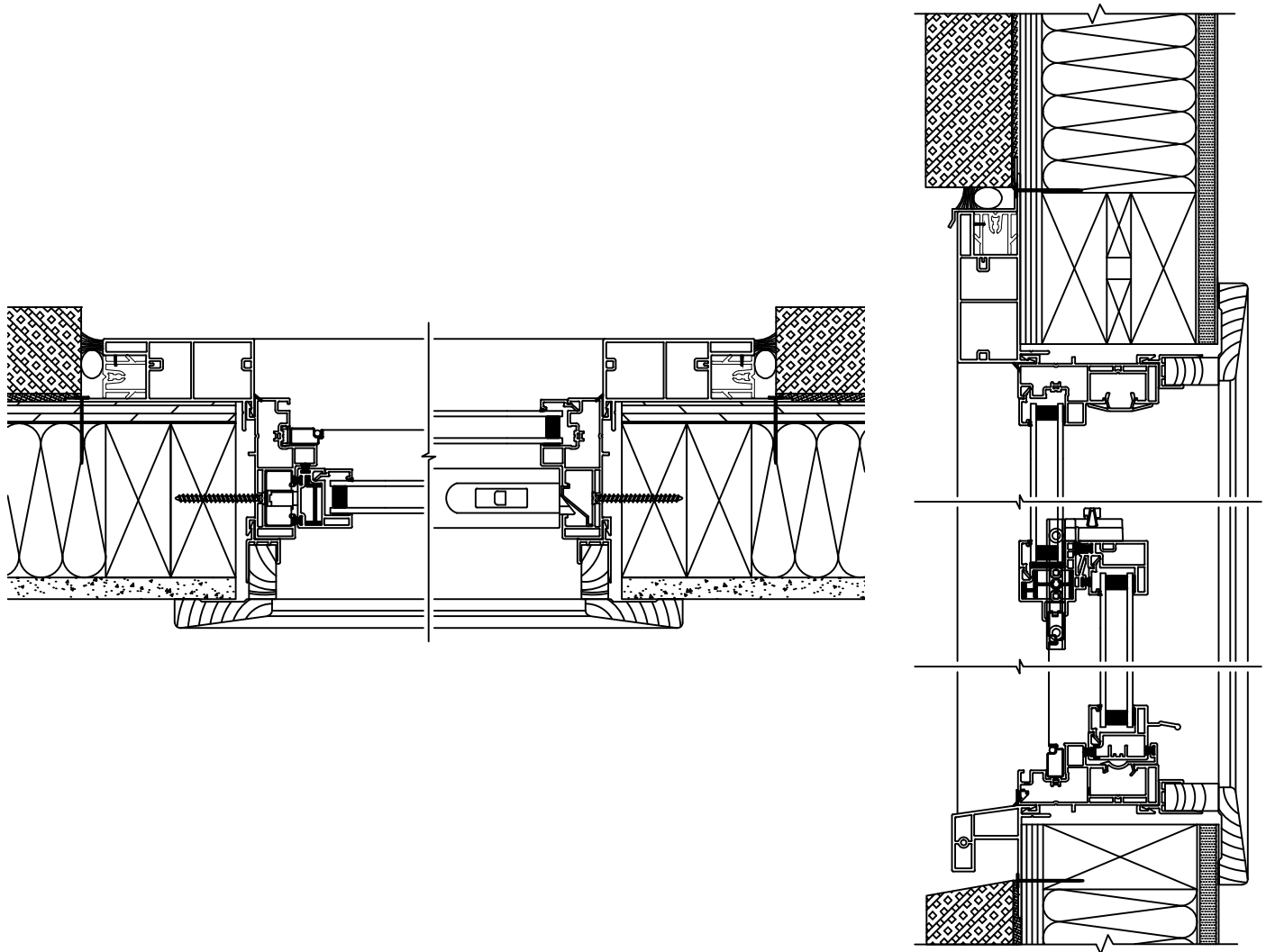
NOTICE: This document contains information that is proprietary to and is protected by copyright of Paradigm Window Solutions For Life. This information may not be copied, disclosed to others or used for any purpose other than that for which it is given without written permission from Paradigm. Copyright © 2008 Paradigm Window Solutions For Life. All Rights Reserved.

Release Date:


**5/12/09**

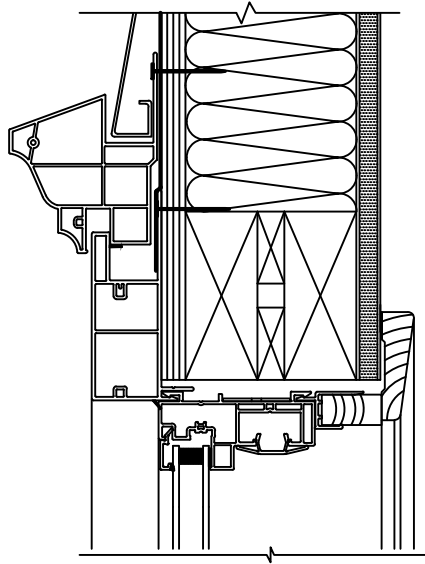
PLEASE NOTE:

E.I.F.S. INSTALLATION DETAILS ARE FOR ILLUSTRATIVE PURPOSES ONLY.  
 FOLLOW YOUR E.I.F.S. MANUFACTURER'S INSTRUCTIONS FOR  
 WINDOW/DOOR FLASHING AND SEALING METHODS.

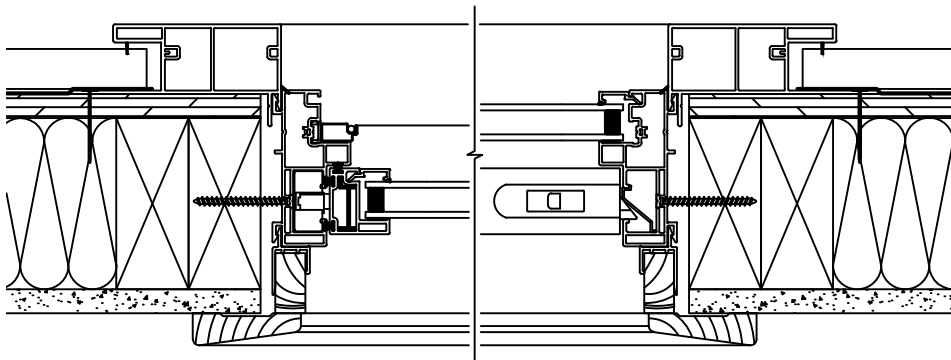
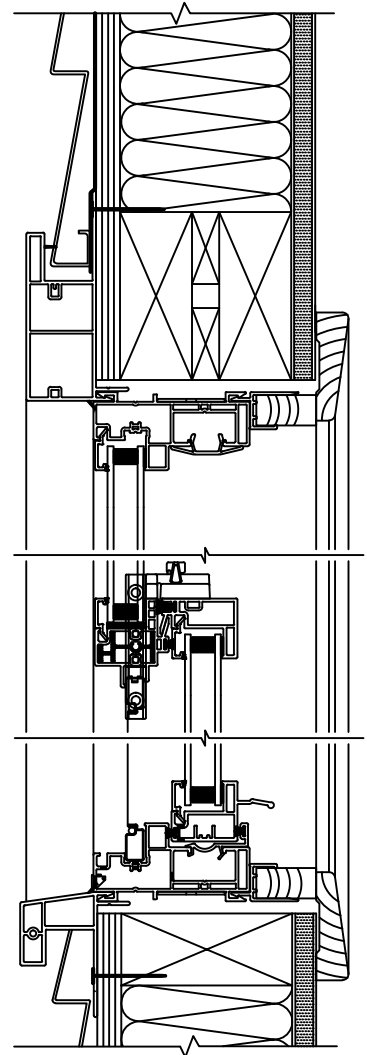


FOR GENERAL REFERENCE ONLY.  
 NOT TO BE USED AS AN INSTALLATION  
 GUIDELINE.

<p>Title/Description:  <b>Single Hung                  Flat Casing (3-1/2") with Sill Nose                  E.I.F.S./Stucco</b></p>	<p>Product Series #:  <b>Series 8381</b></p>	 <p>Window Solutions For Life.                  400 Riverside Industrial Parkway                  PO Box 10109                  Portland ME. 04104                  Tel. 207-878-9701 : Fax 207-797-6156                  www.paradigmwindows.com</p>	<p>Page  <b>3.2</b></p>		
<p>NOTICE: This document contains information that is proprietary to and is protected by copyright of Paradigm Window Solutions For Life. This information may not be copied, disclosed to others or used for any purpose other than that for which it is given without written permission from Paradigm. Copyright © 2008 Paradigm Window Solutions For Life. All Rights Reserved.</p>	<p>Release Date:  <b>5/12/09</b></p>			<p>Scale:  <b>3" = 1' 0"</b></p>	
				<p>Drawn By:  <b>BCG / DML</b></p>	



CROWN MOLD ACCESSORY  
(AVAILABLE SEPARATELY)



FOR GENERAL REFERENCE ONLY.  
NOT TO BE USED AS AN INSTALLATION  
GUIDELINE.

Title/Description:

**Single Hung  
Flat Casing (3-1/2") with Sill Nose  
Vinyl/Wood Siding**

NOTICE: This document contains information that is proprietary to and is protected by copyright of Paradigm Window Solutions For Life. This information may not be copied, disclosed to others or used for any purpose other than that for which it is given without written permission from Paradigm. Copyright © 2008 Paradigm Window Solutions For Life. All Rights Reserved.

Release Date:

5/12/09

Product Series #:

Series 8381

Scale:

3" = 1' 0"

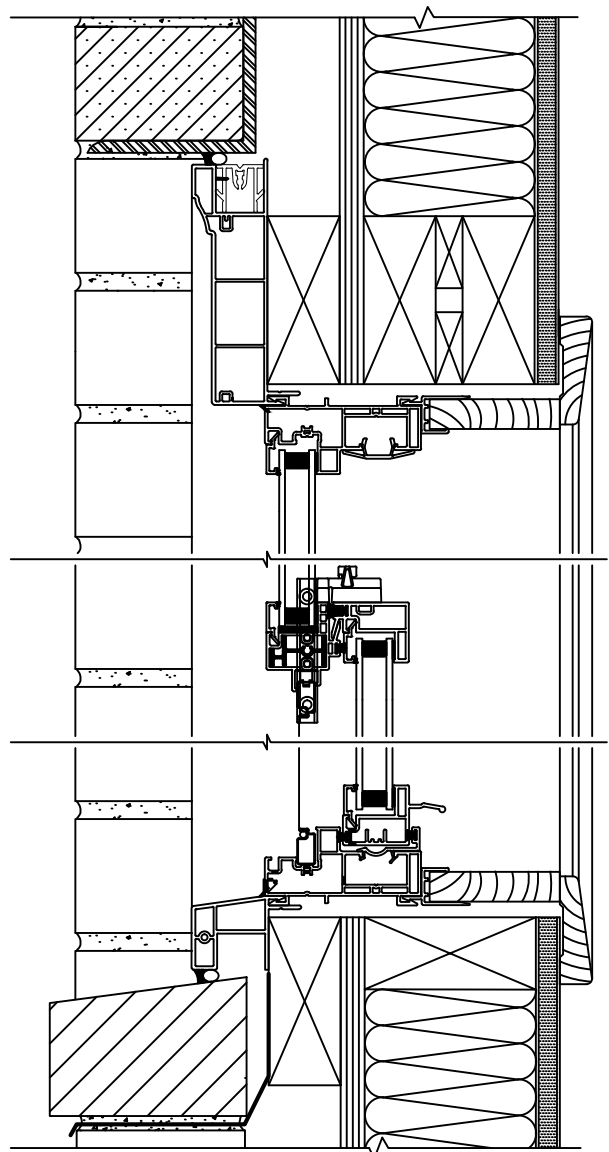
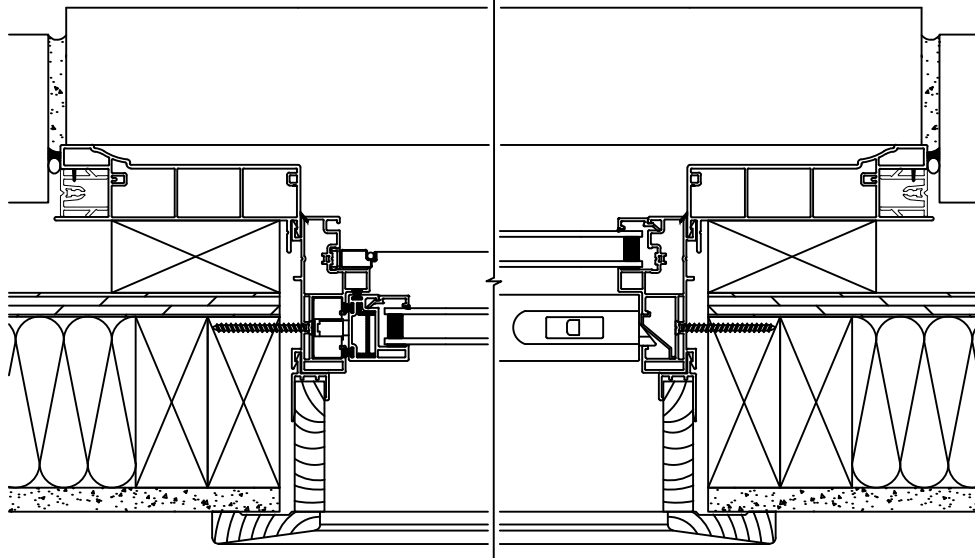
Drawn By:

BCG / DML



400 Riverside Industrial Parkway  
PO Box 10109  
Portland ME. 04104  
Tel. 207-878-9701 : Fax 207-797-6156  
www.paradigmwindows.com

Page  
3.3



FOR GENERAL REFERENCE ONLY.  
 NOT TO BE USED AS AN INSTALLATION  
 GUIDELINE.

Title/Description:

**Single Hung  
 5" Brickmould with Sill Nose  
 Brick Veneer**

NOTICE: This document contains information that is proprietary to and is protected by copyright of Paradigm Window Solutions For Life. This information may not be copied, disclosed to others or used for any purpose other than that for which it is given without written permission from Paradigm. Copyright © 2008 Paradigm Window Solutions For Life. All Rights Reserved.

Release Date:

5/12/09

Product Series #:

Series 8381

Scale:

3" = 1' 0"

Drawn By:

BCG / DML



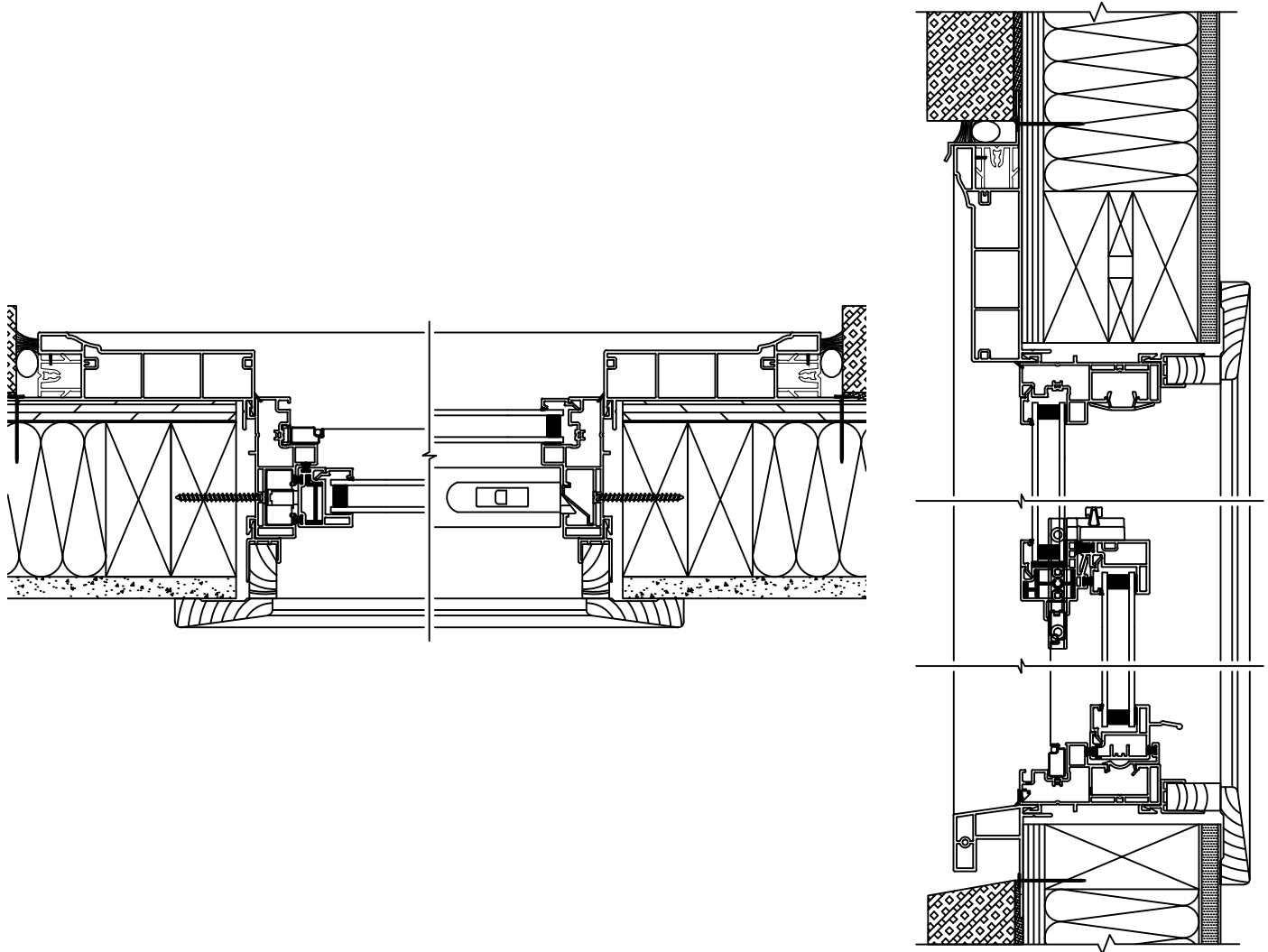
400 Riverside Industrial Parkway  
 PO Box 10109  
 Portland ME. 04104  
 Tel. 207-878-9701 : Fax 207-797-6156  
 www.paradigmwindows.com

Page

4.1

PLEASE NOTE:

E.I.F.S. INSTALLATION DETAILS ARE FOR ILLUSTRATIVE PURPOSES ONLY.  
 FOLLOW YOUR E.I.F.S. MANUFACTURER'S INSTRUCTIONS FOR  
 WINDOW/DOOR FLASHING AND SEALING METHODS.



FOR GENERAL REFERENCE ONLY.  
 NOT TO BE USED AS AN INSTALLATION  
 GUIDELINE.

Title/Description:

**Single Hung  
 5" Brickmould with Sill Nose  
 E.I.F.S./Stucco**

Product Series #:

**Series 8381**

Scale:

**3" = 1' 0"**

Drawn By:

**BCG / DML**

Release Date:

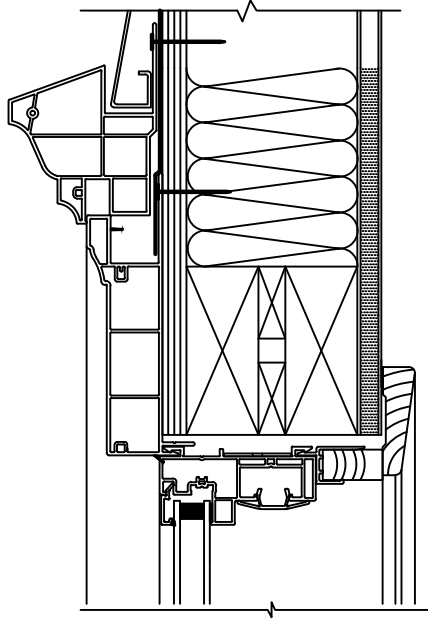
**5/12/09**



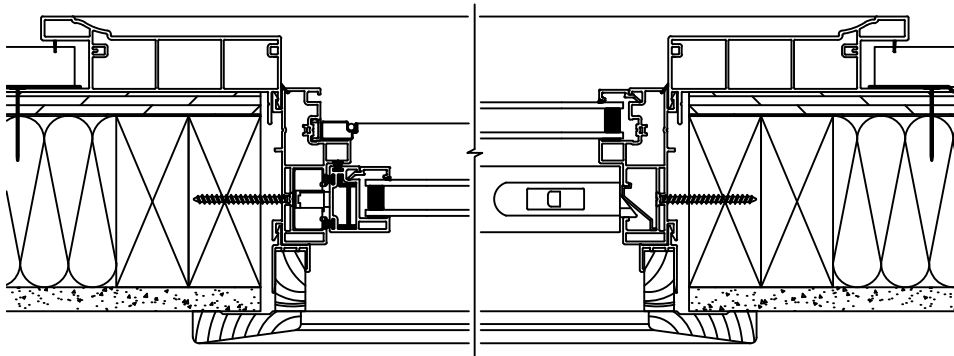
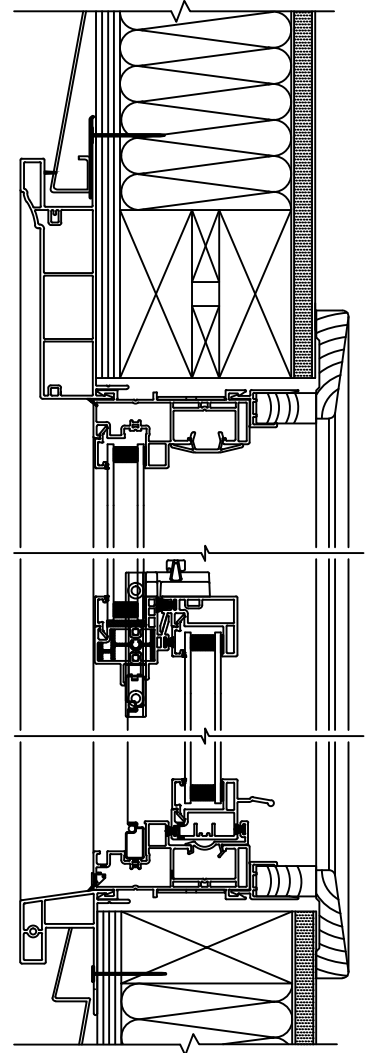
Window Solutions For Life.  
 400 Riverside Industrial Parkway  
 PO Box 10109  
 Portland ME. 04104  
 Tel. 207-878-9701 : Fax 207-797-6156  
[www.paradigmwindows.com](http://www.paradigmwindows.com)

**Page  
 4.2**

NOTICE: This document contains information that is proprietary to and is protected by copyright of Paradigm Window Solutions For Life. This information may not be copied, disclosed to others or used for any purpose other than that for which it is given without written permission from Paradigm. Copyright © 2008 Paradigm Window Solutions For Life. All Rights Reserved.



CROWN MOLD ACCESSORY  
(AVAILABLE SEPARATELY)



FOR GENERAL REFERENCE ONLY.  
NOT TO BE USED AS AN INSTALLATION  
GUIDELINE.

Title/Description:

**Single Hung  
5" Brickmould with Sill Nose  
Vinyl/Wood Siding**

Product Series #:

**Series 8381**

Scale:

**3" = 1' 0"**

Drawn By:

**BCG / DML**



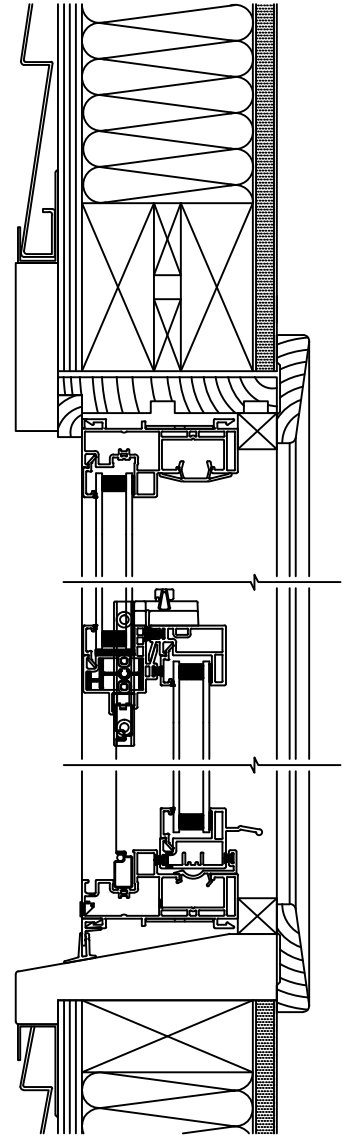
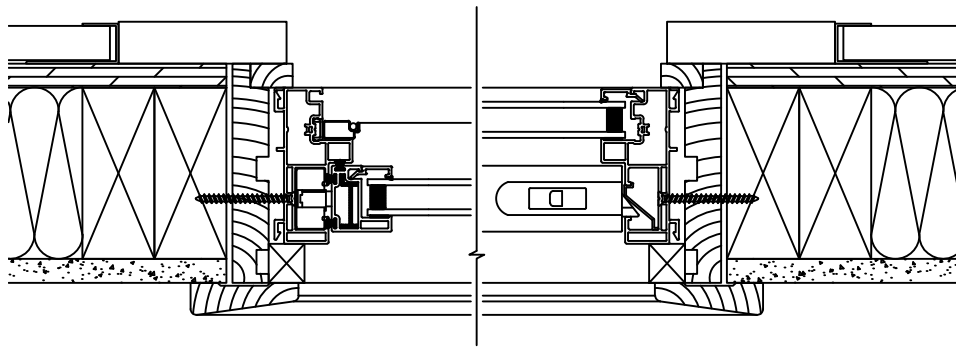
400 Riverside Industrial Parkway  
PO Box 10109  
Portland ME. 04104  
Tel. 207-878-9701 : Fax 207-797-6156  
www.paradigmwindows.com

**Page  
4.3**

NOTICE: This document contains information that is proprietary to and is protected by copyright of Paradigm Window Solutions For Life. This information may not be copied, disclosed to others or used for any purpose other than that for which it is given without written permission from Paradigm. Copyright © 2008 Paradigm Window Solutions For Life. All Rights Reserved.

Release Date:

**5/12/09**



FOR GENERAL REFERENCE ONLY.  
 NOT TO BE USED AS AN INSTALLATION  
 GUIDELINE.

Title/Description:

**Single Hung  
 Replacement Window w/2-pc. Sill Extender  
 Shown with Vinyl/Wood Siding**

Product Series #:

**Series 8381**

Scale:

**3" = 1' 0"**



400 Riverside Industrial Parkway  
 PO Box 10109  
 Portland ME. 04104  
 Tel. 207-878-9701 : Fax 207-797-6156

www.paradigmwindows.com

Page

**6.1**

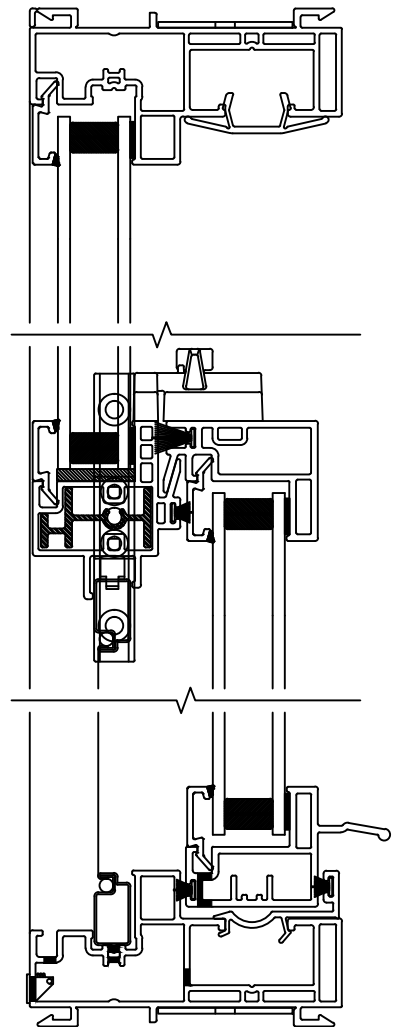
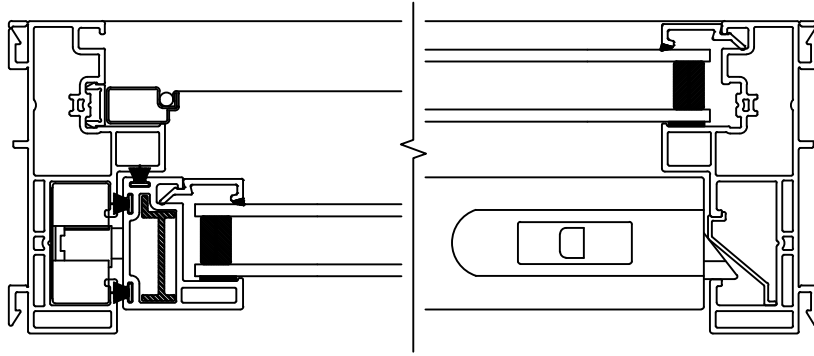
NOTICE: This document contains information that is proprietary to and is protected by copyright of Paradigm Window Solutions For Life. This information may not be copied, disclosed to others or used for any purpose other than that for which it is given without written permission from Paradigm. Copyright © 2008 Paradigm Window Solutions For Life. All Rights Reserved.

Release Date:

**5/12/09**

Drawn By:

**BCG / DML**



FOR GENERAL REFERENCE ONLY.  
 NOT TO BE USED AS AN INSTALLATION  
 GUIDELINE.

Title/Description:

**Single Hung  
 Replacement Window  
 Shown without wall construction**

Product Series #:

**Series 8381**

Scale:

**6" = 1' 0"**



400 Riverside Industrial Parkway  
 PO Box 10109  
 Portland ME. 04104  
 Tel. 207-878-9701 : Fax 207-797-6156

www.paradigmwindows.com

**Page**

**6.2**

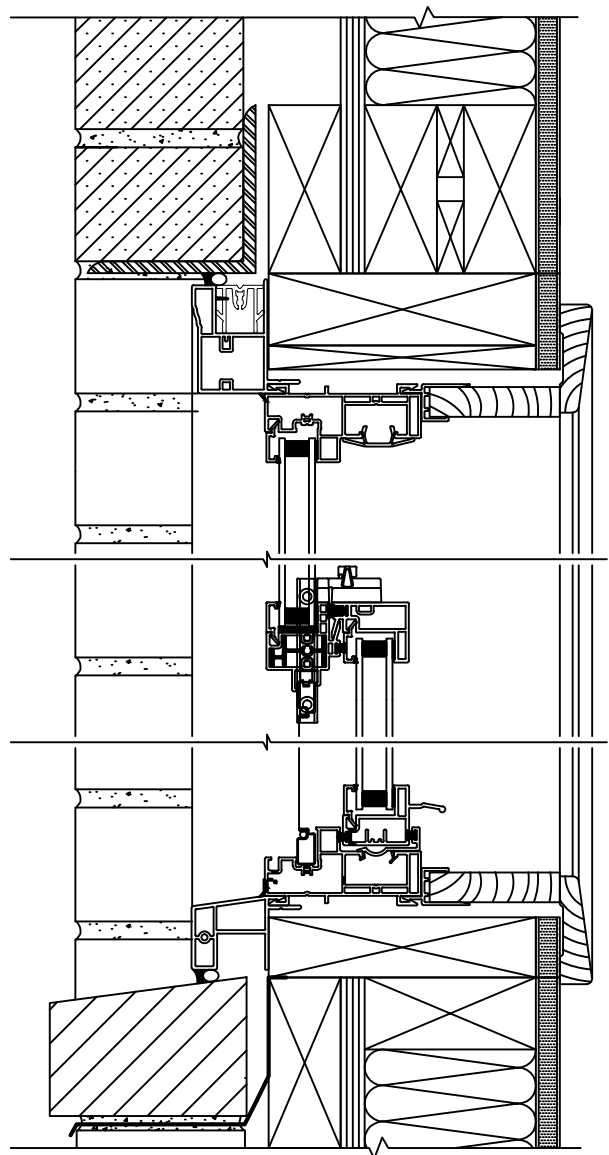
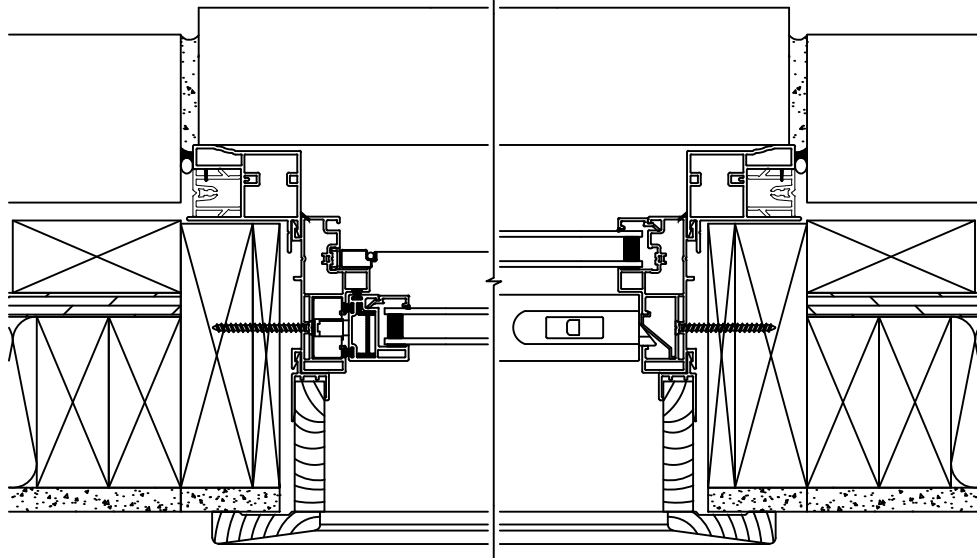
NOTICE: This document contains information that is proprietary to and is protected by copyright of Paradigm Window Solutions For Life. This information may not be copied, disclosed to others or used for any purpose other than that for which it is given without written permission from Paradigm. Copyright © 2008 Paradigm Window Solutions For Life. All Rights Reserved.

Release Date:

**5/12/09**

Drawn By:

**BCG / DML**



FOR GENERAL REFERENCE ONLY.  
 NOT TO BE USED AS AN INSTALLATION  
 GUIDELINE.

Title/Description:

**Single Hung  
 Replacement Window w/908 Brickmould  
 Shown with Brick Veneer**

NOTICE: This document contains information that is proprietary to and is protected by copyright of Paradigm Window Solutions For Life. This information may not be copied, disclosed to others or used for any purpose other than that for which it is given without written permission from Paradigm. Copyright © 2008 Paradigm Window Solutions For Life. All Rights Reserved.

Release Date:

9/28/09

Product Series #:

Series 8381

Scale:

3" = 1' 0"

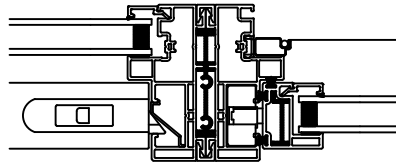
Drawn By:

BCG / DML

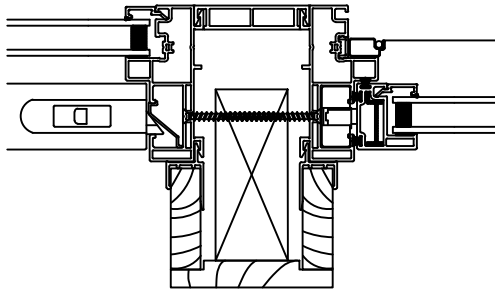


400 Riverside Industrial Parkway  
 PO Box 10109  
 Portland ME. 04104  
 Tel. 207-878-9701 : Fax 207-797-6156  
 www.paradigmwindows.com

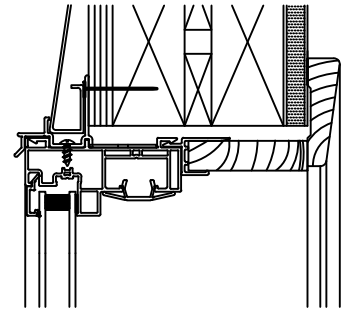
Page  
**6.3**



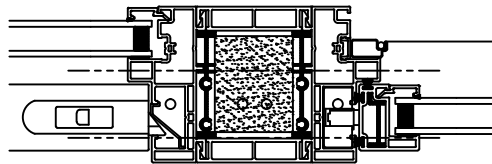
STANDARD MULL @ JAMBS



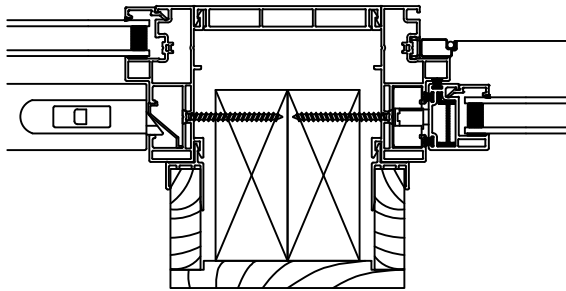
SINGLE STUD-POCKET, 1 SIDED



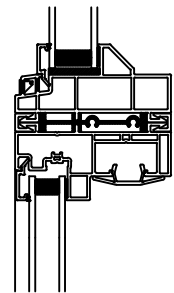
HORIZ. MULL @ HEAD  
(W/O CASING)



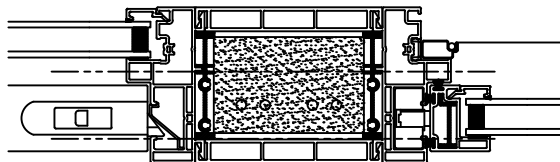
SINGLE STUD-POCKET, 2 SIDED



DOUBLE STUD-POCKET, 1 SIDED



MULL @ TRANSOM



DOUBLE STUD-POCKET, 2 SIDED

Title/Description:

Single Hung  
Mull Details, Various

—

Product Series #:

Series 8381

Scale:

3" = 1' 0"

Drawn By:

BCG / DML

Release Date:

5/12/09

**paradigm**  
Window Solutions For Life.

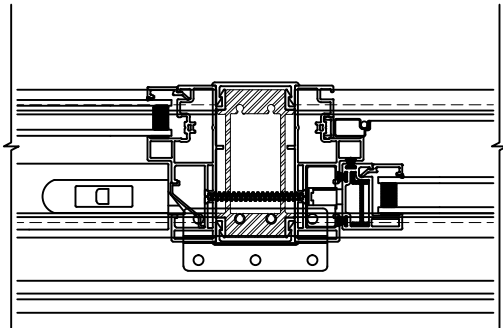
400 Riverside Industrial Parkway  
PO Box 10109  
Portland ME. 04104  
Tel. 207-878-9701 : Fax 207-797-6156

www.paradigmwindows.com

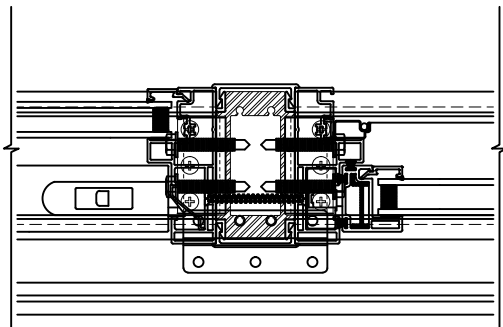
Page

A.1

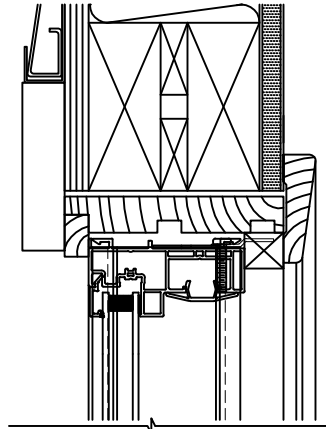
NOTICE: This document contains information that is proprietary to and is protected by copyright of Paradigm Window Solutions For Life. This information may not be copied, disclosed to others or used for any purpose other than that for which it is given without written permission from Paradigm. Copyright © 2008 Paradigm Window Solutions For Life. All Rights Reserved.



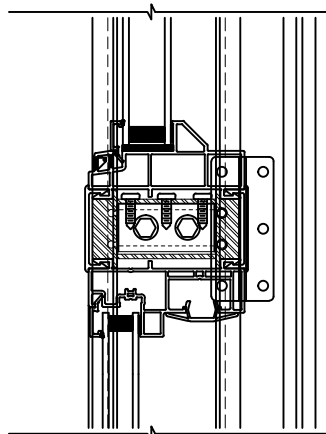
PLAN SECTION @ MULL W/O CROSS "T" MULL



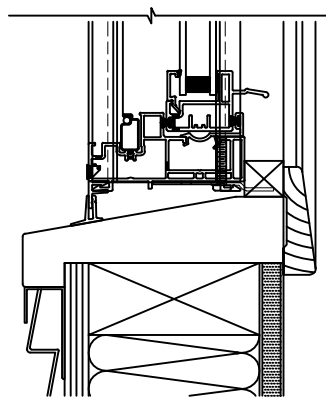
PLAN SECTION @ MULL WITH CROSS "T" MULL



SECTION @ HEAD



SECTION @ TRANSOM



SECTION @ SILL

Title/Description:

Single Hung  
Mull Details, 1-1/4" Structural (Repl. Only)

Product Series #:

Series 8381

Scale:

3" = 1' 0"



400 Riverside Industrial Parkway  
PO Box 10109  
Portland ME. 04104  
Tel. 207-878-9701 : Fax 207-797-6156

www.paradigmwindows.com

Page  
A.2

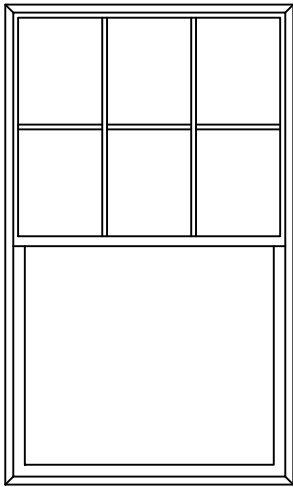
NOTICE: This document contains information that is proprietary to and is protected by copyright of Paradigm Window Solutions For Life. This information may not be copied, disclosed to others or used for any purpose other than that for which it is given without written permission from Paradigm. Copyright © 2008 Paradigm Window Solutions For Life. All Rights Reserved.

Release Date:

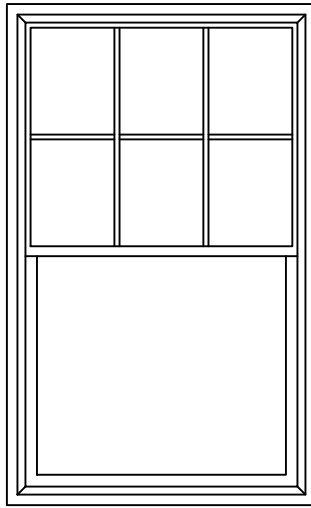
5/12/09

Drawn By:

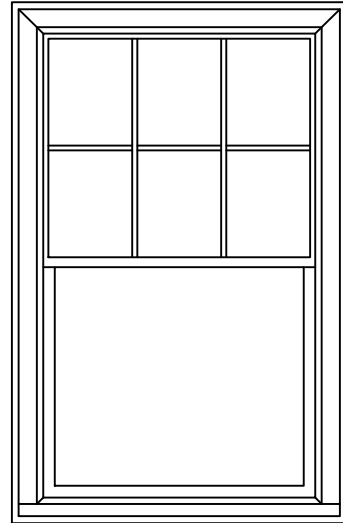
BCG / DML



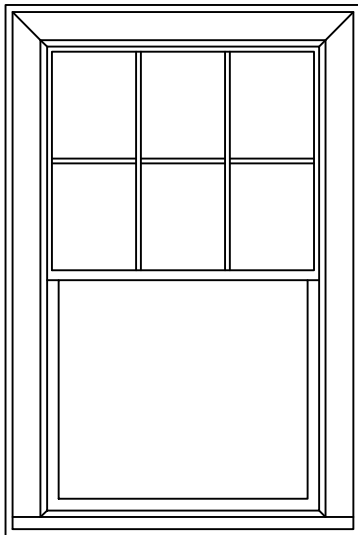
REPLACEMENT



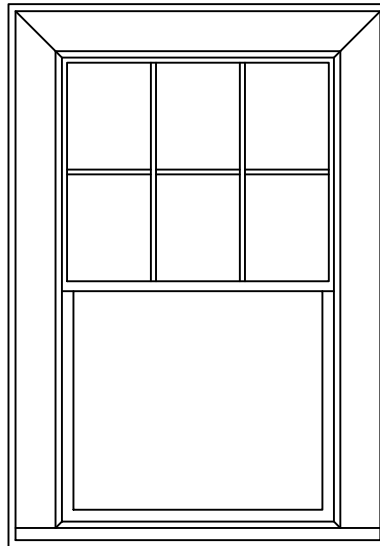
NEW CONSTRUCTION



908 BRICKMOLD &  
SILL NOSE



FLAT CASING &  
SILL NOSE



5" BRICKMOLD &  
SILL NOSE

Title/Description:

Single Hung  
Elevation Views, Single Windows  
Shown as 36" x 60" Window

NOTICE: This document contains information that is proprietary to and is protected by copyright of Paradigm Window Solutions For Life. This information may not be copied, disclosed to others or used for any purpose other than that for which it is given without written permission from Paradigm. Copyright © 2008 Paradigm Window Solutions For Life. All Rights Reserved.

Release Date:

5/12/09

Product Series #:

Series 8381

Scale:

1/2" = 1' 0"

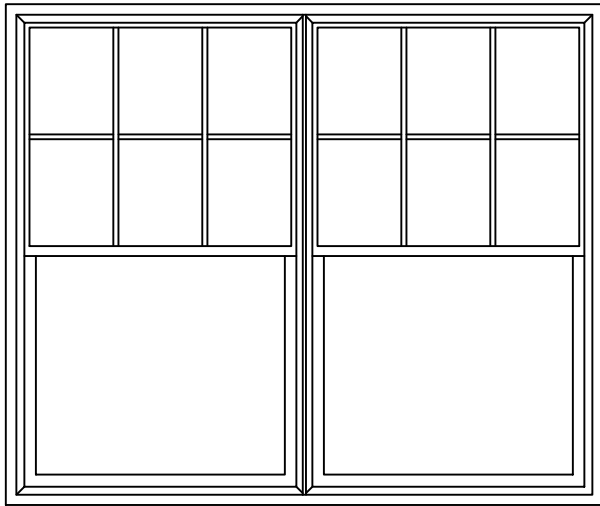
Drawn By:

BCG / DML

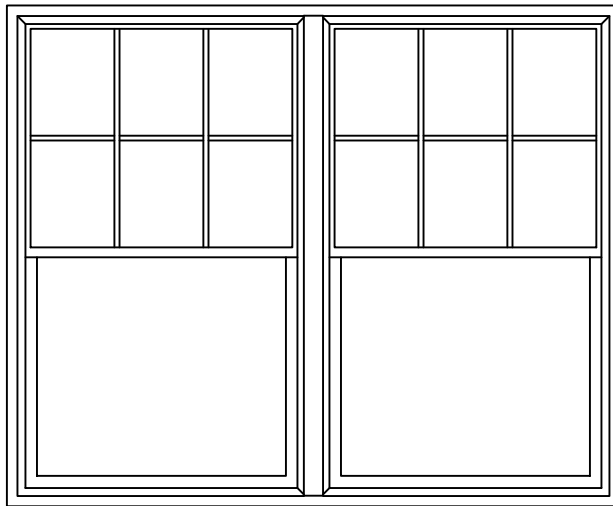


400 Riverside Industrial Parkway  
PO Box 10109  
Portland ME. 04104  
Tel. 207-878-9701 : Fax 207-797-6156  
www.paradigmwindows.com

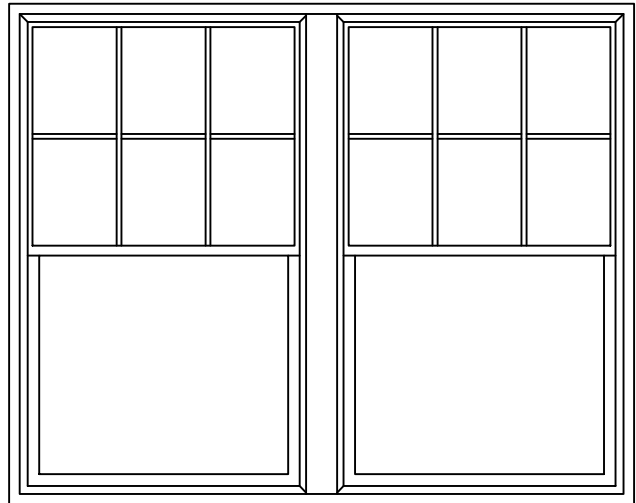
Page  
A.3




0° MULL



SINGLE STUD POCKET



DOUBLE STUD POCKET

Title/Description: <b>Single Hung Elevation Views, Muller Windows Shown as 36" x 60" Window</b>		Product Series #: <b>Series 8381</b>	 Window Solutions For Life. 400 Riverside Industrial Parkway PO Box 10109 Portland ME. 04104 Tel. 207-878-9701 : Fax 207-797-6156 <a href="http://www.paradigmwindows.com">www.paradigmwindows.com</a>	Page <b>A.4</b>
NOTICE: This document contains information that is proprietary to and is protected by copyright of Paradigm Window Solutions For Life. This information may not be copied, disclosed to others or used for any purpose other than that for which it is given without written permission from Paradigm. Copyright © 2008 Paradigm Window Solutions For Life. All Rights Reserved.		Scale: <b>1/2" = 1' 0"</b>		
Release Date: <b>5/12/09</b>	Drawn By: <b>BCG / DML</b>			