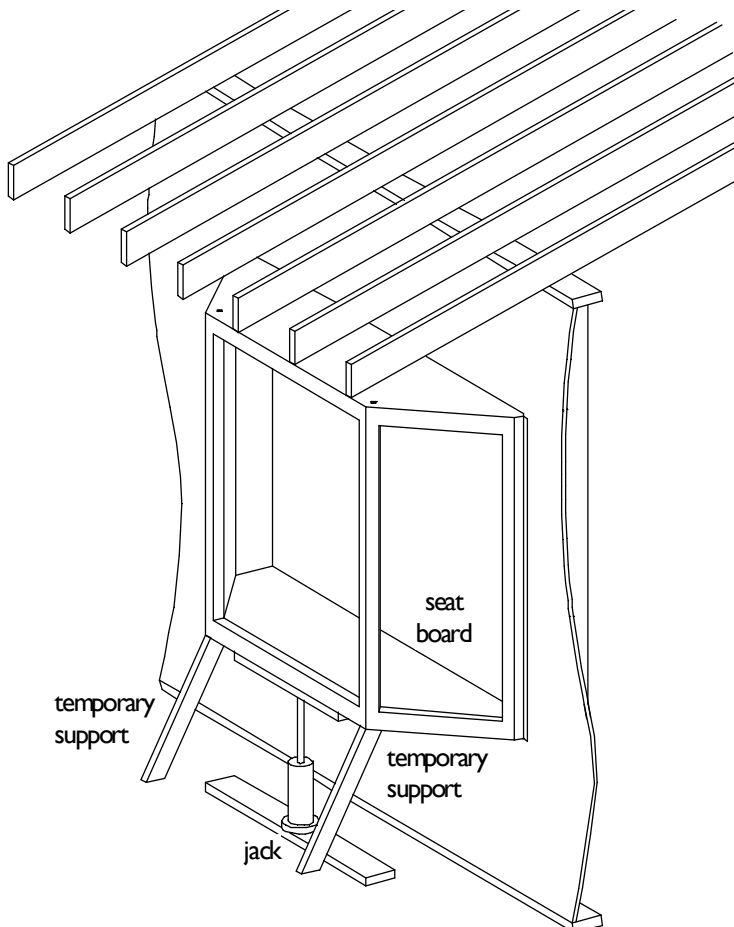
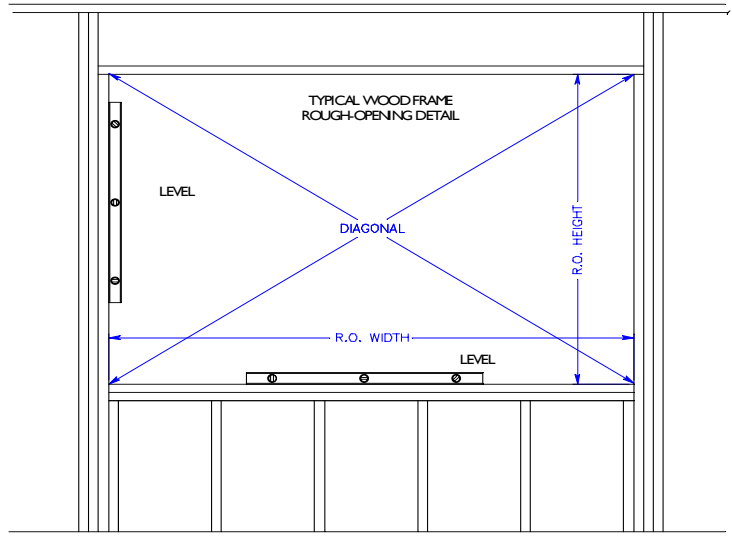


CAUTION: Paradigm Bay & Bow windows come pre-assembled and as such are extremely heavy and awkward to handle. Be sure to have proper assistance to lift the unit into place and also proper means to temporarily support the weight of the unit during installation.

Preparation of the Opening

1. Frame new construction opening to 1/2" larger than the tip-to-tip dimension of the bay or bow window assembly. Opening must be plumb, level, and square as shown, and must be able to properly support the weight of the unit. Ensure that framing practices meet all applicable building codes.
2. Prepare an existing opening in the same manner as above, checking for any damage to the opening as the old window is removed. Check framing for any signs of damage or decay and replace or repair as necessary.

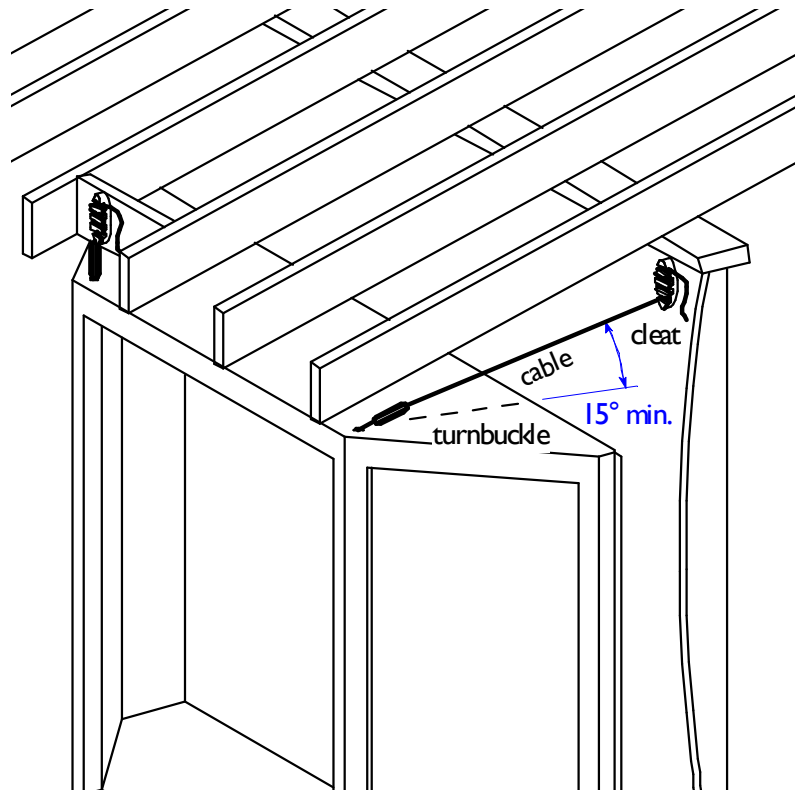


Installation of the New Window

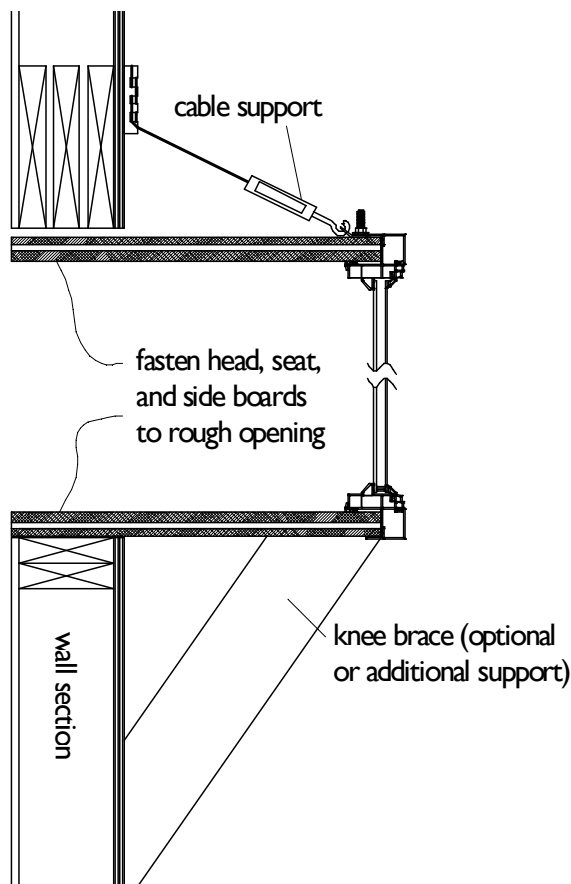
1. Apply a generous bead of silicone sealant on the inside surface of the nail fin on either side of the window. Lift the window up and into the rough opening, taking care to protect the wood veneer on the head, seat, and side boards of the unit. Provide temporary support underneath the window until the cable system (provided) or other permanent supports are installed.
2. Check the level of the window at the seatboard parallel to the wall and shim under the unit as necessary. Next use a jack to lift the outside edge of the window as shown so that it is approximately 1/4" above level. DO NOT remove the jack or temporary supports until the window is permanently supported.

Permanent Support of Window

1. Install the cable cleats supplied to a structural component of the framing using the screws provided. Two examples of possible locations are shown in the illustration to the right. Be sure to position the cleat so the cable will have at least a 15° angle when installed.
2. Attach the cable-turnbuckle assembly to the brackets on the top of the unit. Be sure the turnbuckles are adjusted to their longest length at this point. Wrap the other end of the cable around the cleat from bottom to top in a criss-cross pattern from bottom to top and back down, making it as tight as possible.
3. Slowly lower the jack supporting the outside edge of the window until the weight of the window is supported by the cables. Double-check the security of the cable and cleats. Using a level on the seatboard, tighten the turnbuckles until the window is level from front to back. It may be easier to adjust the turnbuckles by raising and lowering the window with the jack. Be sure to tighten both turnbuckles evenly.



4. Once the unit is level in the opening, fasten the head, seat, and side boards to the rough opening from the interior with 10d ss finish nails or 3" trim head screws spaced every 12" to 16". Shim behind the fasteners if necessary. NOTE: if the cable support system proves unworkable for your installation, other means of support may be employed such as knee braces (shown), posts, etc.



Finish-up and Adjustment

Complete the framing/siding and/or roofing details as per your specific requirements. Check the operation of the windows (if applicable) and make final adjustments as necessary. Install fiberglass batt insulation loosely in any interior gaps between the window and the rough opening. Install interior trim along the perimeter of the window frame.

Thank you for choosing Paradigm Window Solutions. Call 1-877-9WINDOW with any questions.